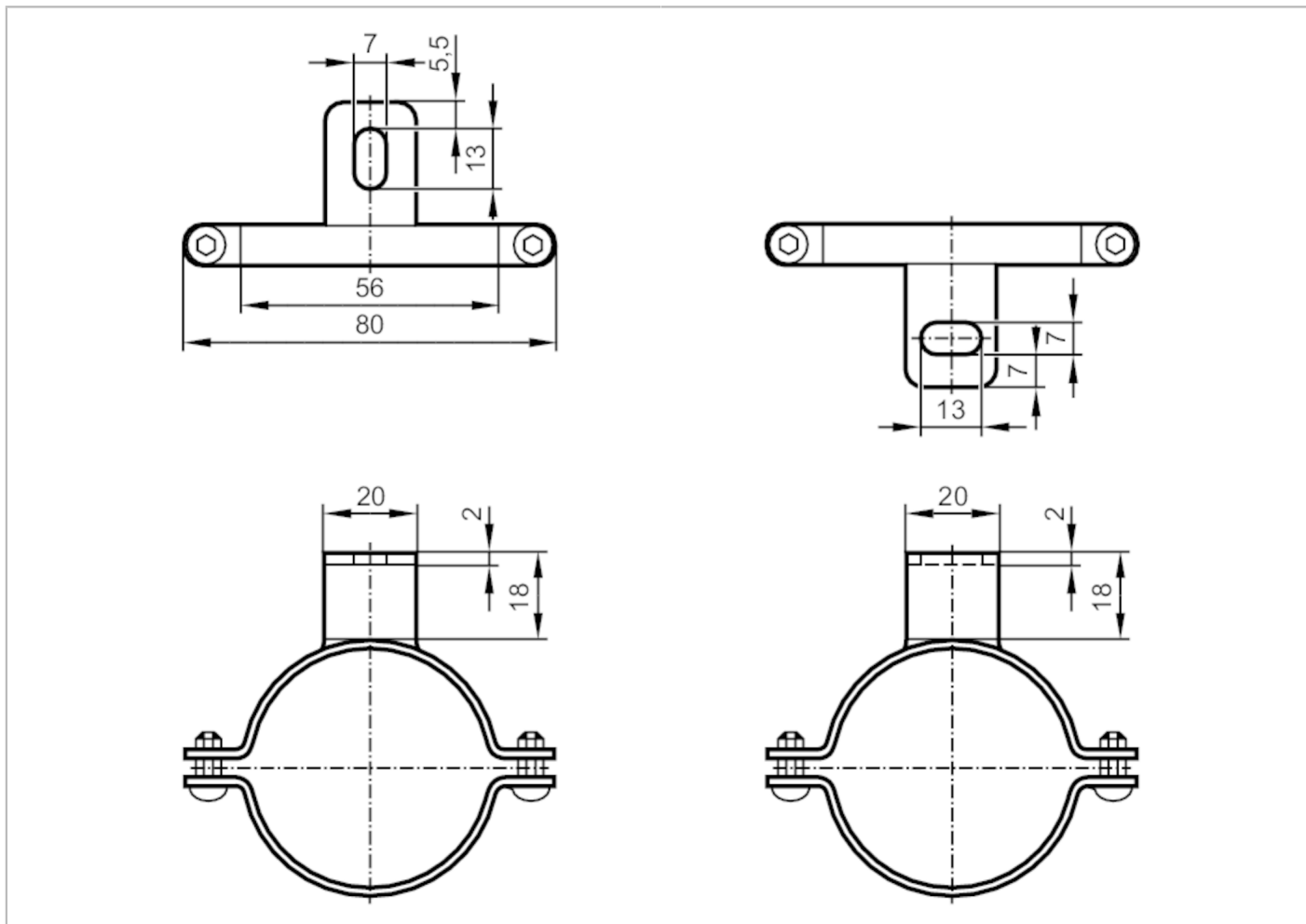


EY3012



Mounting clamp for safety light grids

IP69K STAINLESS STEEL BRACKETS



Application	
Design	replacement mounting clamp for types OY4
Mechanical data	
Weight	[g] 95.7
Dimensions	[mm] 35 x 80 x 74
Materials	stainless steel (1.4404 / 316L)
Remarks	
Pack quantity	2 pcs.