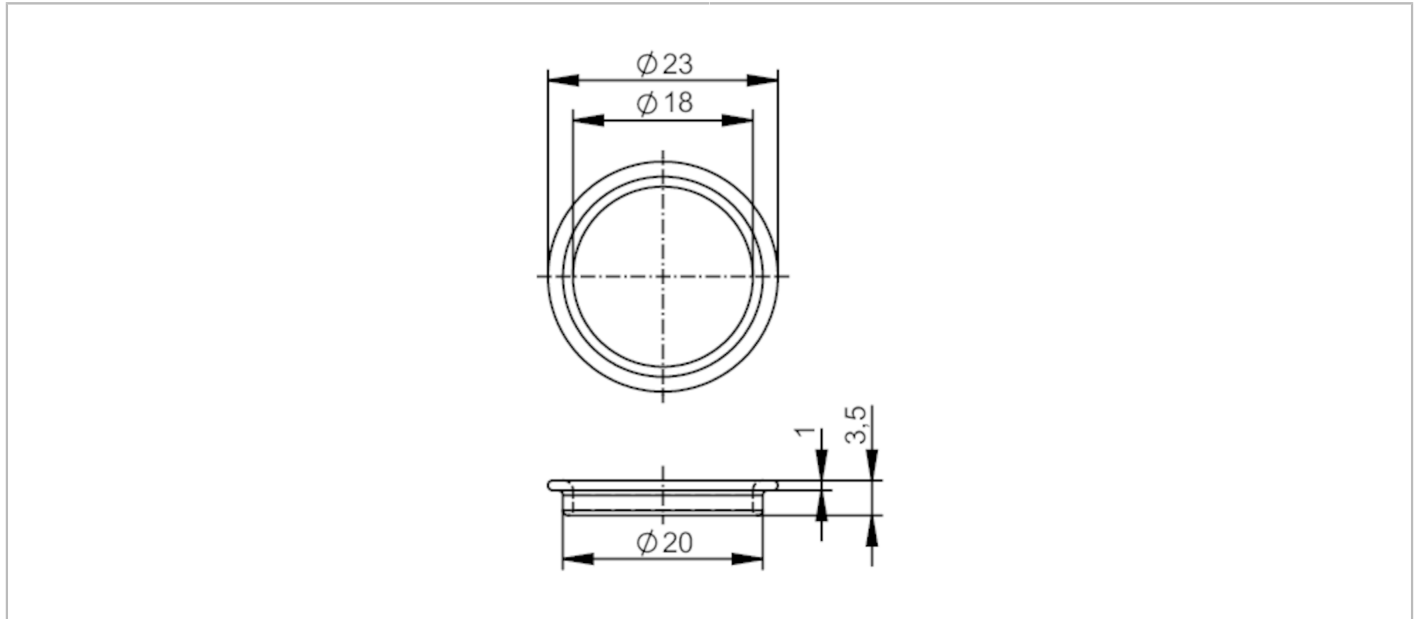


E30522



Gasket

SEAL RING G1/2 FKM



Application	
Design	for units with process connection G ½
Operating conditions	
Ambient temperature [°C]	-25...200
Tests / approvals	
Standard	DIN EN ISO 1179-2
Mechanical data	
Weight [g]	7.65
Inside diameter [mm]	18
External diameter [mm]	23
Materials	FKM
Remarks	
Pack quantity	1 pcs.