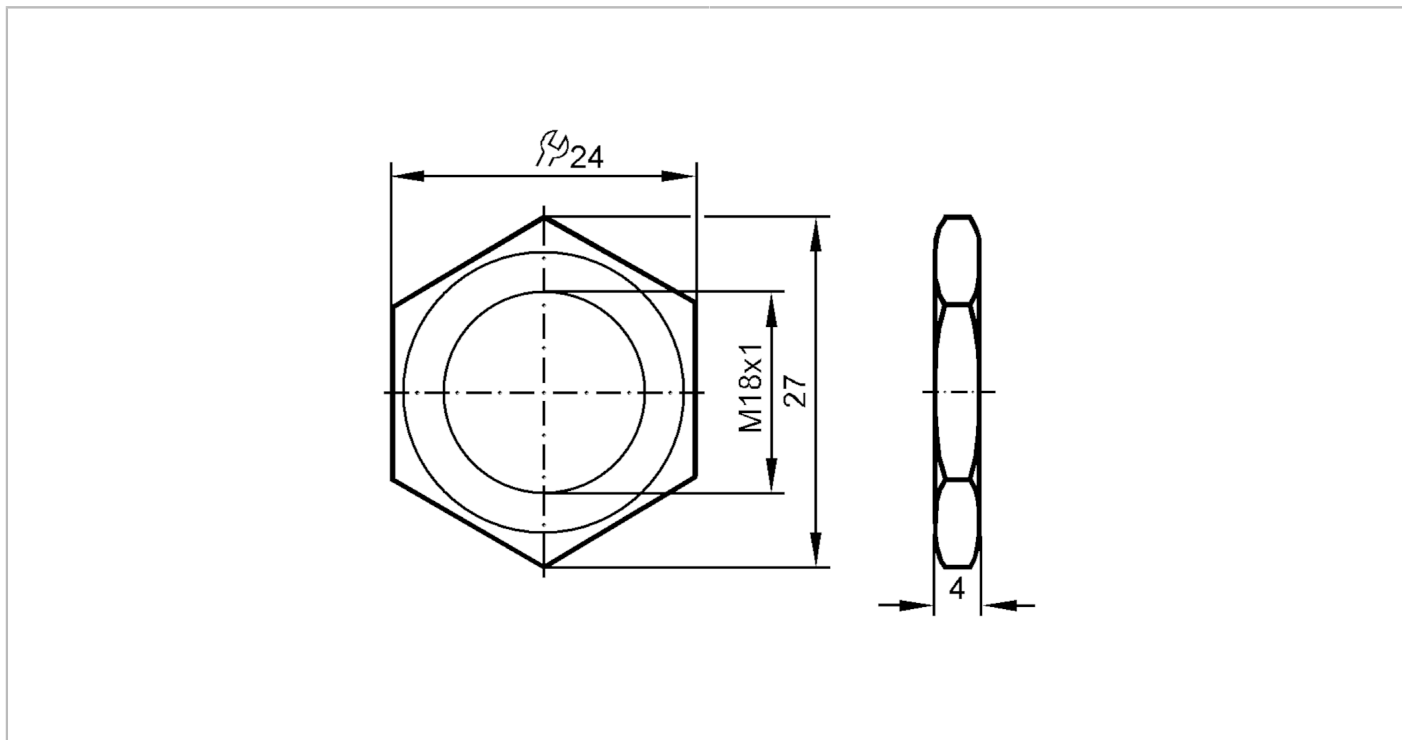


E10028



Hexagon nut

NUT M18X1 V4A 2 PIECES



Mechanical data

Weight	[g]	16.9
Dimensions	[mm]	M18 x 1
Thread designation		M18 x 1
Materials		stainless steel (1.4571/316Ti)

Remarks

Pack quantity		2 pcs.
---------------	--	--------