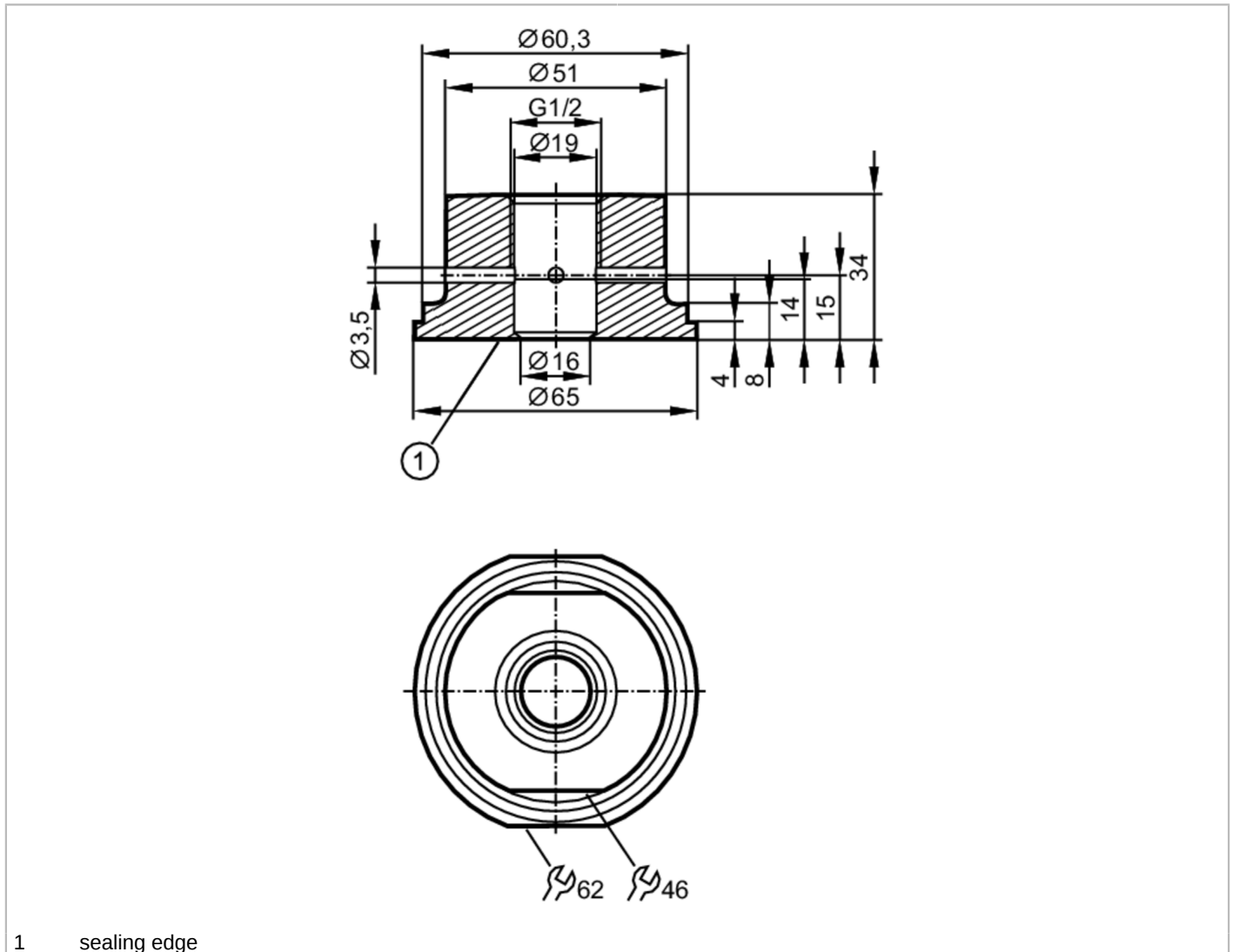


E43344



Process adapter for SMS pipe fitting

ADAPT G1/2 - SMS DN50/2"



Application	
Design	with leakage port
Pressure rating [bar]	16
Tests / approvals	
Pressure Equipment Directive	A possible classification to PED depends on the application and has to be carried out by the user / operator.
Pressure Equipment Directive EAC	The adapter is intended for use in devices, machines and installations that do not fall under the categories of the technical rule TR CU 032/2013.
Safety instructions	The compatibility between medium and product material has to be checked in all applications.
Mechanical data	
Weight [g]	570.5
Materials	stainless steel (1.4435 / 316L)
Sensor connection	G 1/2 sealing cone
Process connection	SMS pipe fitting DN50 (2")

E43344



Process adapter for SMS pipe fitting

ADAPT G1/2 - SMS DN50/2"

Surface characteristics Ra/Rz of the wetted parts	< 0.8 / 8
Sealing	metal to PEEK
Hygienic equipment class to DIN 11866	H3
Remarks	
Pack quantity	1 pcs.