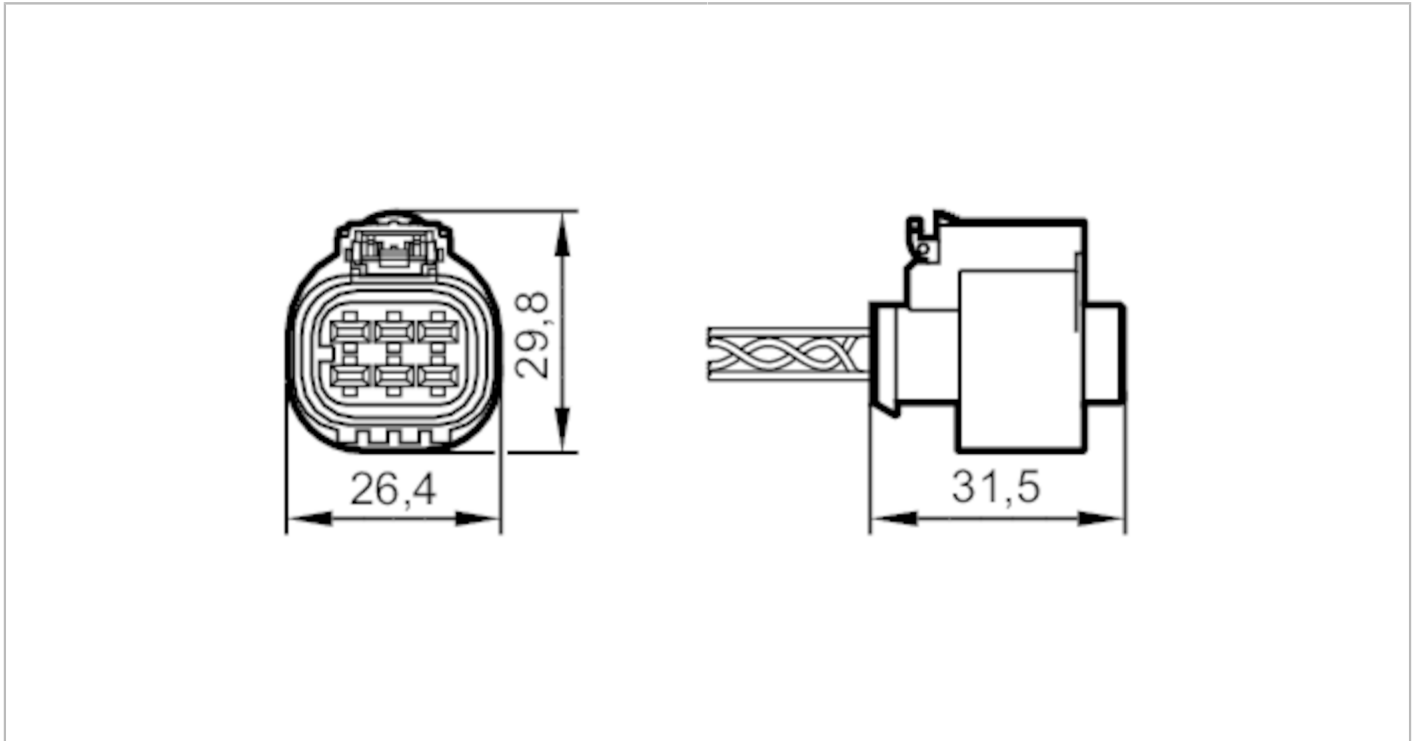


E12566



Connecting cable with AMP connector

ADOGX060--A005E06



Electrical data		
Operating voltage	[V]	12...24 DC
Operating conditions		
Ambient temperature	[°C]	-40...100
Ambient temperature (moving)	[°C]	-40...100
Mechanical data		
Weight	[g]	576.5
Materials		PBT
Remarks		
Pack quantity		1 pcs.

E12566



Connecting cable with AMP connector

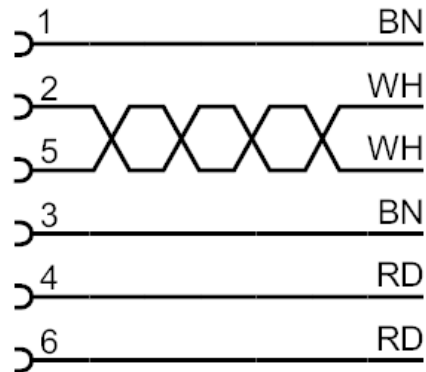
ADOGX060--A005E06

Electrical connection

Cable: 5 m, PVC; 4 x 2.5 mm² + 2 x 0.5 mm²

Electrical connection - socket

Connection



Core colours :
BN = brown
RD = red
WH = white

Connector: 1 x AMP connector, straight; Contacts: nickel-plated