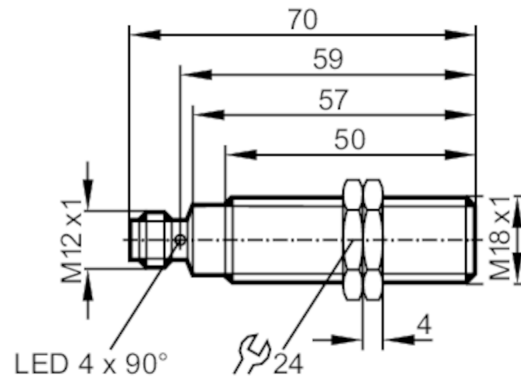


IGT228



Inductive sensor

IGKC008BASKG/MV4A/US-104-DRS



Product characteristics

| | | |
|-------------------|------|------------------|
| Electrical design | | PNP/NPN |
| Output function | | normally open |
| Sensing range | [mm] | 8 |
| Housing | | threaded type |
| Dimensions | [mm] | M18 x 1 / L = 70 |

Application

| | | |
|-----------------|--|--|
| Special feature | | Gold-plated contacts; Increased sensing range; Optical setting aid |
| Application | | regular cleaning processes |

Electrical data

| | | |
|-----------------------------|-----|------------|
| Operating voltage | [V] | 10...36 DC |
| Protection class | | II |
| Reverse polarity protection | | yes |

Outputs

| | | |
|---|------|---------------------------------|
| Electrical design | | PNP/NPN |
| Output function | | normally open |
| Max. voltage drop switching output DC | [V] | 2.8 |
| Minimum load current | [mA] | 2; (only in 2-wire operation) |
| Max. leakage current | [mA] | 0.5; (only in 2-wire operation) |
| Permanent current rating of switching output DC | [mA] | 100 |
| Switching frequency DC | [Hz] | 400 |
| Short-circuit protection | | yes |
| Type of short-circuit protection | | pulsed |
| Overload protection | | yes |

Detection zone

| | | |
|--------------------|------|----------|
| Sensing range | [mm] | 8 |
| Operating distance | [mm] | 0...6.48 |

IGT228



Inductive sensor

IGKC008BASKG/MV4A/US-104-DRS

| | | |
|--------------------------------------|---------------------------|--|
| Increased sensing range | | yes |
| Accuracy / deviations | | |
| Correction factor | | steel: 1 / stainless steel: 0.8 / brass: 0.5 / aluminium: 0.4 / copper: 0.3 |
| Hysteresis | [% of Sr] | 1...20 |
| Operating conditions | | |
| Ambient temperature | [°C] | 0...100 |
| Protection | | IP 68; IP 69K |
| Tests / approvals | | |
| EMC | EN 61000-4-2 ESD | 4 kV CD / 8 kV AD |
| | EN 61000-4-3 HF radiated | 10 V/m |
| | EN 61000-4-4 Burst | 2 kV |
| | EN 61000-4-5 Surge | 0,5 kV line to line, Ri: 2 Ohm |
| | EN 61000-4-6 HF conducted | 10 V |
| | EN 55011 | class B |
| MTTF | [years] | 1418 |
| Mechanical data | | |
| Weight | [g] | 55.5 |
| Housing | | threaded type |
| Mounting | | flush mountable |
| Dimensions | [mm] | M18 x 1 / L = 70 |
| Thread designation | | M18 x 1 |
| Materials | | threaded sleeve: stainless steel (1.4404 / 316L); sensing face: LCP; lock nuts: stainless steel |
| Displays / operating elements | | |
| Display | switching status | 4 x 90° LED, yellow |
| | setting aid | 1 x LED, red |
| Optical setting aid | | yes |
| Accessories | | |
| Items supplied | | lock nuts: 2 |
| Remarks | | |
| Remarks | | suitable for PLC type 1 according to IEC 61131-2 |
| Pack quantity | | 1 pcs. |

IGT228



Inductive sensor

IGKC008BASKG/MV4A/US-104-DRS

Electrical connection - plug

Connector: 1 x M12; coding: A; Contacts: gold-plated

