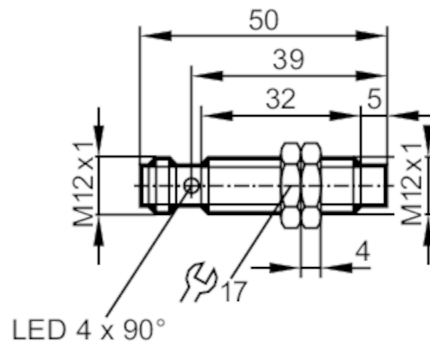


IFT201



Inductive sensor

IFB3007-APKG/M/V4A/US-104-DPO



| Product characteristics | | |
|---|------|---|
| Electrical design | | PNP |
| Output function | | normally closed |
| Sensing range | [mm] | 7 |
| Housing | | threaded type |
| Dimensions | [mm] | M12 x 1 / L = 50 |
| Application | | |
| Special feature | | Gold-plated contacts; Increased sensing range |
| Application | | regular cleaning processes |
| Electrical data | | |
| Operating voltage | [V] | 10...36 DC |
| Current consumption | [mA] | 10; (24 V) |
| Protection class | | II |
| Reverse polarity protection | | yes |
| Outputs | | |
| Electrical design | | PNP |
| Output function | | normally closed |
| Max. voltage drop switching output DC | [V] | 2.5 |
| Permanent current rating of switching output DC | [mA] | 100 |
| Switching frequency DC | [Hz] | 800 |
| Short-circuit protection | | yes |
| Type of short-circuit protection | | pulsed |
| Overload protection | | yes |
| Detection zone | | |
| Sensing range | [mm] | 7 |
| Real sensing range Sr | [mm] | 7 ± 10 % |
| Operating distance | [mm] | 0...5.7 |
| Increased sensing range | | yes |

IFT201



Inductive sensor

IFB3007-APKG/M/V4A/US-104-DPO

Accuracy / deviations

| | | |
|------------------------------|---|----------|
| Correction factor | steel: 1 / stainless steel: 0.7 / brass: 0.5 / aluminium: 0.4 / copper: 0.3 | |
| Hysteresis [% of Sr] | | 1...20 |
| Switch point drift [% of Sr] | | -10...10 |

Operating conditions

| | | |
|--------------------------|------------------------|--|
| Ambient temperature [°C] | 0...100 | |
| Protection | IP 68; IP 69K; ("COP") | |

Tests / approvals

| | | |
|--------------|---------------------------|-------------------------|
| EMC | EN 61000-4-2 ESD | 4 kV CD / 8 kV AD |
| | EN 61000-4-3 HF radiated | 10 V/m |
| | EN 61000-4-4 Burst | 2 kV |
| | EN 61000-4-6 HF conducted | 10 V |
| | EN 55011 | class B |
| MTTF [years] | 2006 | |
| UL approval | Ta | 0...40 °C |
| | Enclosure type | Type 1 |
| | power supply | Limited Voltage/Current |
| | File number UL | E174191 |

Mechanical data

| | | |
|--------------------|---|--|
| Weight [g] | 25.5 | |
| Housing | threaded type | |
| Mounting | non-flush mountable | |
| Dimensions [mm] | M12 x 1 / L = 50 | |
| Thread designation | M12 x 1 | |
| Materials | stainless steel (1.4404 / 316L); sensing face: PEEK | |

Displays / operating elements

| | | |
|---------|------------------|---------------------|
| Display | switching status | 4 x 90° LED, yellow |
|---------|------------------|---------------------|

Accessories

| | | |
|----------------|--------------|--|
| Items supplied | lock nuts: 2 | |
|----------------|--------------|--|

Remarks

| | | |
|---------------|--------|--|
| Pack quantity | 1 pcs. | |
|---------------|--------|--|

Electrical connection - plug

Connector: 1 x M12; coding: A; Contacts: gold-plated



IFT201



Inductive sensor

IFB3007-APKG/M/V4A/US-104-DPO

Connection

