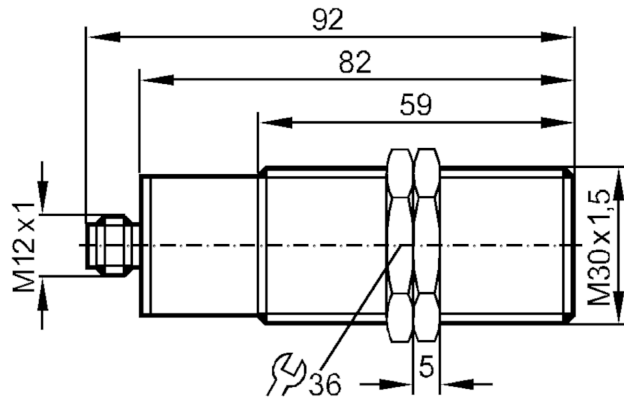




Inductive sensor

IIA3010ZBPKG/V4A/US-100-DPS/AU



Product characteristics

Electrical design		PNP
Output function		normally open
Sensing range	[mm]	10
Housing		threaded type
Dimensions	[mm]	M30 x 1.5

Application

Special feature		Gold-plated contacts
-----------------	--	----------------------

Electrical data

Operating voltage	[V]	10...36 DC
Current consumption	[mA]	15; (24 V)
Protection class		III
Reverse polarity protection		yes

Outputs


Electrical design		PNP
Output function		normally open
Max. voltage drop switching output DC	[V]	2.5
Permanent current rating of switching output DC	[mA]	100
Switching frequency DC	[Hz]	250
Short-circuit protection		yes
Type of short-circuit protection		pulsed
Overload protection		yes

II5863



Inductive sensor

IIA3010ZBPKG/V4A/US-100-DPS/AU

Detection zone	
Sensing range [mm]	10
Real sensing range Sr [mm]	10 ± 10 %
Operating distance [mm]	0...8.1
Accuracy / deviations	
Correction factor	steel: 1 / stainless steel: 0.7 / brass: 0.5 / aluminium: 0.4 / copper: 0.3
Hysteresis [% of Sr]	3...20
Switch point drift [% of Sr]	-10...10
Operating conditions	
Ambient temperature [°C]	-25...100
Protection	IP 67
Tests / approvals	
EMC	EN 60947-5-2 EN 55011 class B
MTTF [years]	1853
Mechanical data	
Weight [g]	161.5
Housing	threaded type
Mounting	flush mountable
Dimensions [mm]	M30 x 1.5
Thread designation	M30 x 1.5
Materials	stainless steel (1.4571/316Ti); PBT
Accessories	
Items supplied	lock nuts: 2
Remarks	
Pack quantity	1 pcs.
Electrical connection - plug	
Connector: 1 x M12; coding: A; Contacts: gold-plated	
	

II5863



Inductive sensor

IIA3010ZBPKG/V4A/US-100-DPS/AU

Connection

