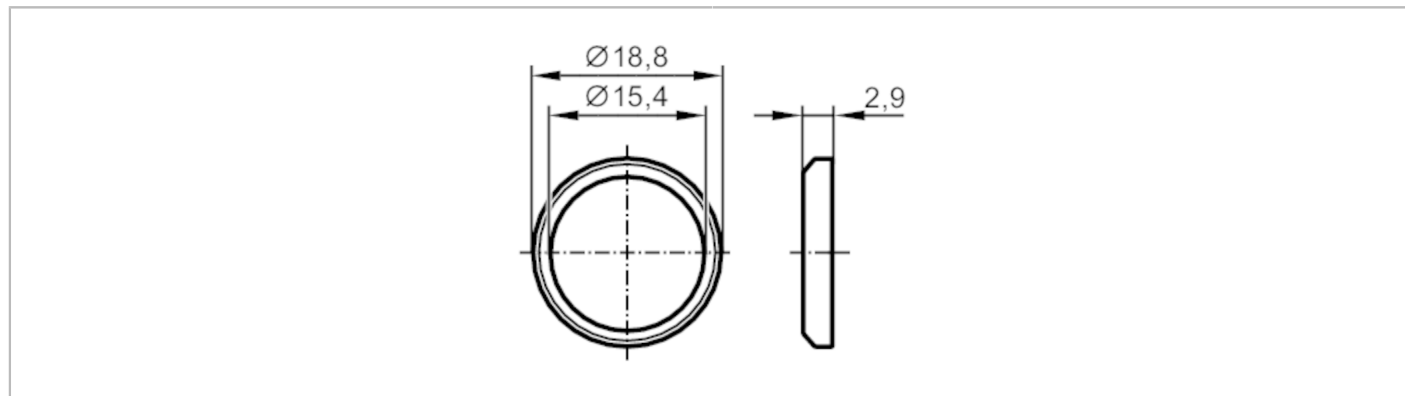


E30459



Gasket

PEEK SEAL



ACS EC 1935/2004 EHEDG Certified FCM FDA Reg31

| Application | |
|------------------------|--|
| Design | for G1/2 thread connection with sealing cone |
| Mechanical data | |
| Weight [g] | 5.4 |
| Inside diameter [mm] | 15.4 |
| External diameter [mm] | 18.8 |
| Materials | PEEK, FDA compliant |
| Remarks | |
| Pack quantity | 1 pcs. |