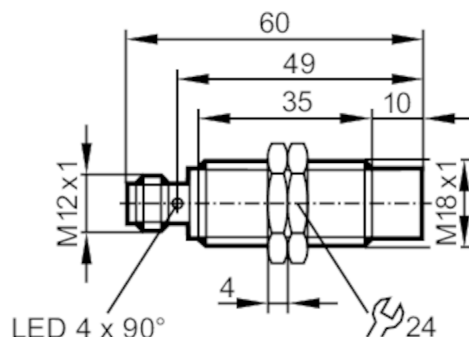




## Inductive sensor

IGK3012-BPKG/US-104



### Product characteristics

Electrical design	PNP
Output function	normally open
Sensing range [mm]	12
Housing	threaded type
Dimensions [mm]	M18 x 1 / L = 60

### Application

Special feature	Gold-plated contacts; Increased sensing range
Application	Use in machine tools, coolants and lubricants

### Electrical data

Operating voltage [V]	10...30 DC
Current consumption [mA]	< 10
Protection class	II
Reverse polarity protection	yes

### Outputs

Electrical design	PNP
Output function	normally open
Max. voltage drop switching output DC [V]	2.5
Permanent current rating of switching output DC [mA]	200
Switching frequency DC [Hz]	300
Short-circuit protection	yes
Overload protection	yes

### Detection zone

Sensing range [mm]	12
Real sensing range Sr [mm]	12 ± 10 %
Operating distance [mm]	0...9.72
Increased sensing range	yes

### Accuracy / deviations

Correction factor	steel: 1 / stainless steel: 0.7 / brass: 0.5 / aluminium: 0.4 / copper: 0.3
Hysteresis [% of Sr]	3...15

# IGC220



## Inductive sensor

IGK3012-BPKG/US-104

Switch point drift	[% of Sr]	-10...10
--------------------	-----------	----------

### Operating conditions

Ambient temperature	[°C]	-25...70
---------------------	------	----------

Protection	IP 68; ("Coolant")
------------	--------------------

### Tests / approvals

EMC	EN 61000-4-2 ESD	4 kV CD / 8 kV AD
	EN 61000-4-3 HF radiated	10 V/m
	EN 61000-4-4 Burst	2 kV
	EN 61000-4-6 HF conducted	10 V
	EN 55011	class B

MTTF	[years]	1083
------	---------	------

Embedded software included	yes
----------------------------	-----

UL approval	Ta	0...40 °C
	Enclosure type	Type 1
	power supply	Hazardous voltage
	UL Approval no.	A004
	File number UL	E174191

### Mechanical data

Weight	[g]	47.5
--------	-----	------

Housing	threaded type
---------	---------------

Mounting	non-flush mountable
----------	---------------------

Dimensions	[mm]	M18 x 1 / L = 60
------------	------	------------------

Thread designation	M18 x 1
--------------------	---------

Materials	housing: brass white bronze coated; sensing face: LCP uncoloured
-----------	--

### Displays / operating elements

Display	switching status	4 x 90° LED, yellow
---------	------------------	---------------------

### Accessories

Items supplied	lock nuts: 2
----------------	--------------

### Remarks

Pack quantity	1 pcs.
---------------	--------

### Electrical connection - plug

Connector: 1 x M12; coding: A; Contacts: gold-plated



# IGC220



## Inductive sensor

IGK3012-BPKG/US-104

### Connection

