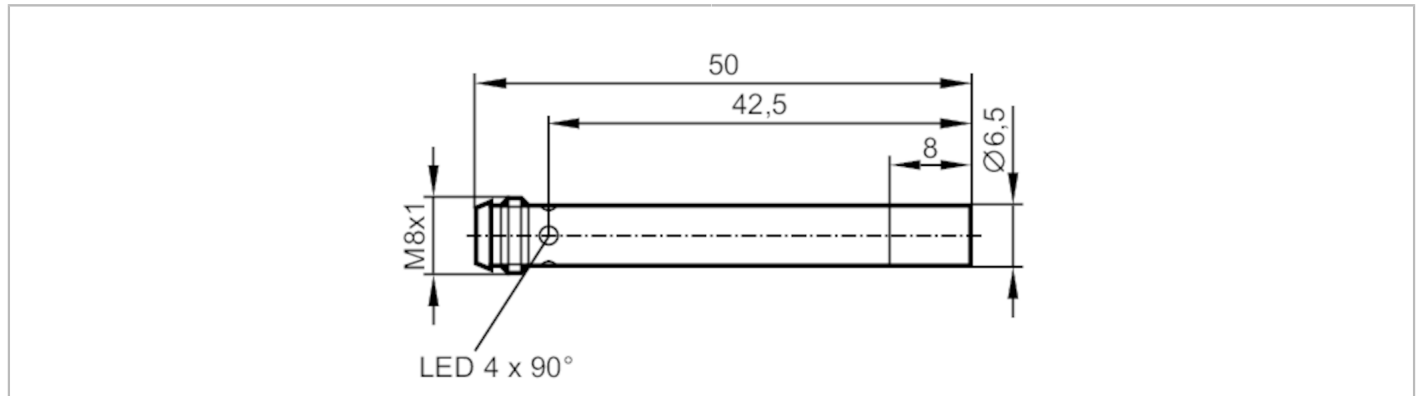


IT5044



Inductive sensor

ITB3004-BPKG/V4A/AS



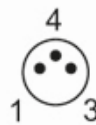
Product characteristics	
Electrical design	PNP
Output function	normally open
Sensing range [mm]	4
Housing	cylindrical
Dimensions [mm]	Ø 6.5 / L = 50
Application	
Special feature	Increased sensing range
Electrical data	
Operating voltage [V]	10...30 DC
Current consumption [mA]	10
Protection class	III
Reverse polarity protection	yes
Outputs	
Electrical design	PNP
Output function	normally open
Max. voltage drop switching output DC [V]	2.5
Permanent current rating of switching output DC [mA]	100
Switching frequency DC [Hz]	750
Short-circuit protection	yes
Overload protection	yes
Detection zone	
Sensing range [mm]	4
Real sensing range S_r [mm]	$4 \pm 10\%$
Operating distance [mm]	0...3.24
Increased sensing range	yes
Accuracy / deviations	
Correction factor	steel: 1 / stainless steel: 0.7 / brass: 0.5 / aluminium: 0.5 / copper: 0.4
Hysteresis [% of S_r]	1...20
Switch point drift [% of S_r]	-10...10

IT5044



Inductive sensor

ITB3004-BPKG/V4A/AS

Operating conditions		
Ambient temperature	[°C]	0...60
Protection		IP 67; (with ifm socket duly screwed on: IP 67)
Tests / approvals		
EMC	EN 61000-4-2 ESD	4 kV CD / 8 kV AD
	EN 61000-4-3 HF radiated	10 V/m
	EN 61000-4-4 Burst	2 kV
	EN 61000-4-6 HF conducted	10 V
	EN 55011 emission	class B
MTTF	[years]	4756
Embedded software included		yes
UL approval	Ta	0...60 °C
	Enclosure type	Type 1
	power supply	Limited Voltage/Current
	UL Approval no.	A017
	File number UL	E174191
Mechanical data		
Weight	[g]	16.5
Housing		cylindrical
Mounting		non-flush mountable
Dimensions	[mm]	Ø 6.5 / L = 50
Materials		stainless steel (1.4404 / 316L); sensing face: LCP orange; LED window: PPSU
Displays / operating elements		
Display	switching status	4 x 90° LED, yellow
Accessories		
Items supplied		Mounting clamps: 1
Remarks		
Pack quantity		1 pcs.
Electrical connection - plug		
Connector: 1 x M8; coding: A		
		

IT5044



Inductive sensor

ITB3004-BPKG/V4A/AS

Connection

