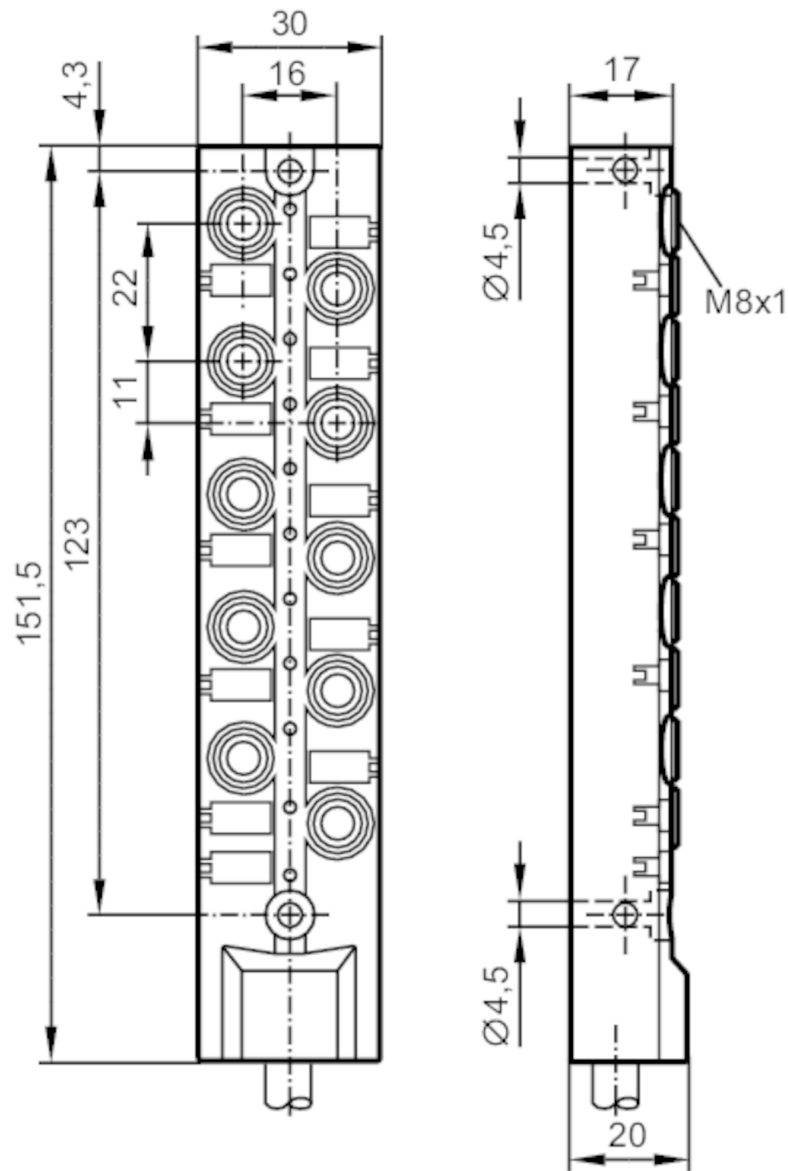


EBC170



Splitter box

ZDOAF03BMSS00,5H12



Application

Special feature

Halogen-free; Gold-plated contacts; Drag chain suitability

Electrical data

Operating voltage	[V]	10...30 DC
Protection class		III
Max. current load per module/slot	[A]	2
Max. current load total	[A]	6

Outputs

Electrical design

PNP

Operating conditions

Ambient temperature

[°C]

-25...80

EBC170



Splitter box

ZDOAF03BMSS00,5H12

Ambient temperature (moving) [°C]	-5...60
Protection	IP 65; IP 67; IP 68

Mechanical data

Weight [g]	197	
Materials	PBT-GF20; brass nickel-plated	
Moulded-body material	PBT-GF 20 / brass, nickel-plated	
Number of ports splitter box	10	
Connector type	M8	
Drag chain suitability	yes	
Drag chain suitability	bending radius for flexible use	min. 10 x cable diameter
	travel speed	max. 3.3 m/s for a horizontal travel length of 5 m and max. acceleration of 5 m/s ²
	bending cycles	> 5 Mio.
	torsional strain	± 180 °/m

Displays / operating elements

Display	switching status	10 x LED, yellow
	operation	1 x LED, green

Accessories

Accessories (optional)	Protective cap: 2 x M8, E73005 labels: 11
------------------------	--

Remarks

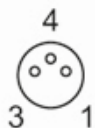
Pack quantity	1 pcs.
---------------	--------

Electrical connection

Cable: 0.5 m, PUR, Halogen-free, black, Ø 7.6 mm; 10 x 0.34 mm² (43 x Ø 0.1 mm) + 2 x 0.75 mm² (21 x Ø 0.2 mm)

Electrical connection - socket

Connector: 1 x M8; coding: A; Moulded body: PBT-GF 20 / brass, nickel-plated; Contacts: gold-plated



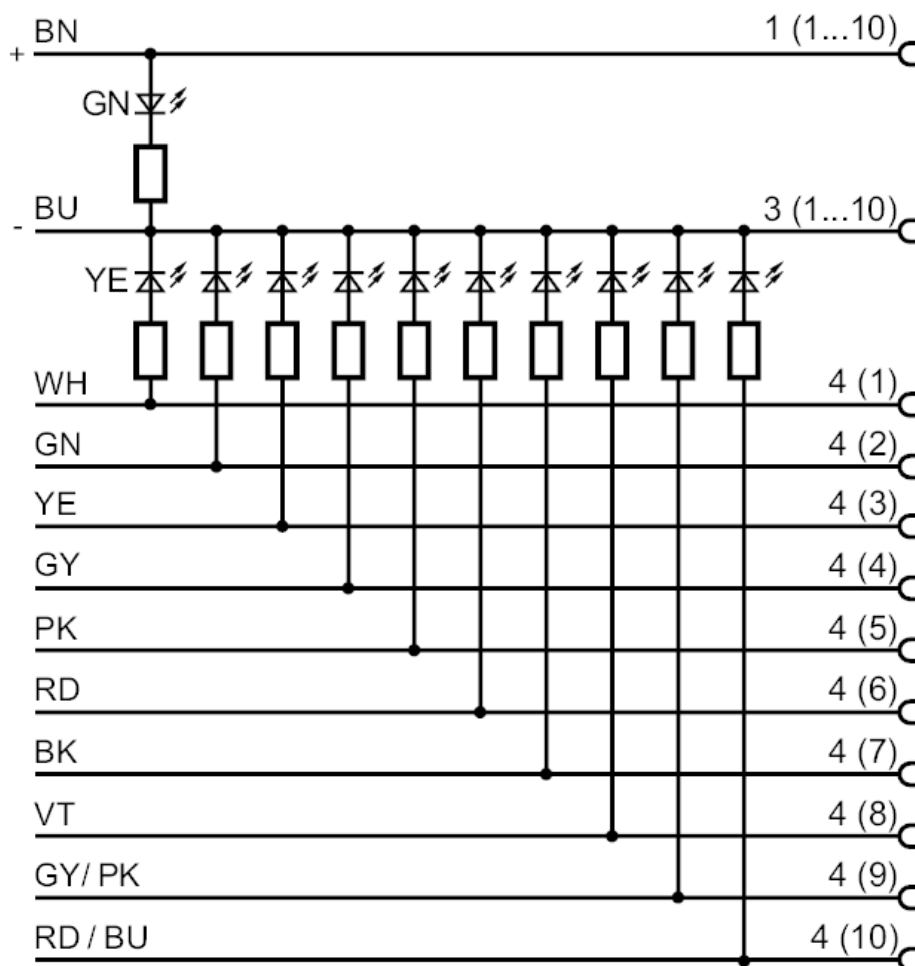
EBC170



Splitter box

ZDOAF03BMSS00,5H12

Connection



	Core colours :
BK =	black
BN =	brown
BU =	blue
GN =	green
GY =	grey
PK =	pink
RD =	red
VT =	lilac
WH =	white
YE =	yellow