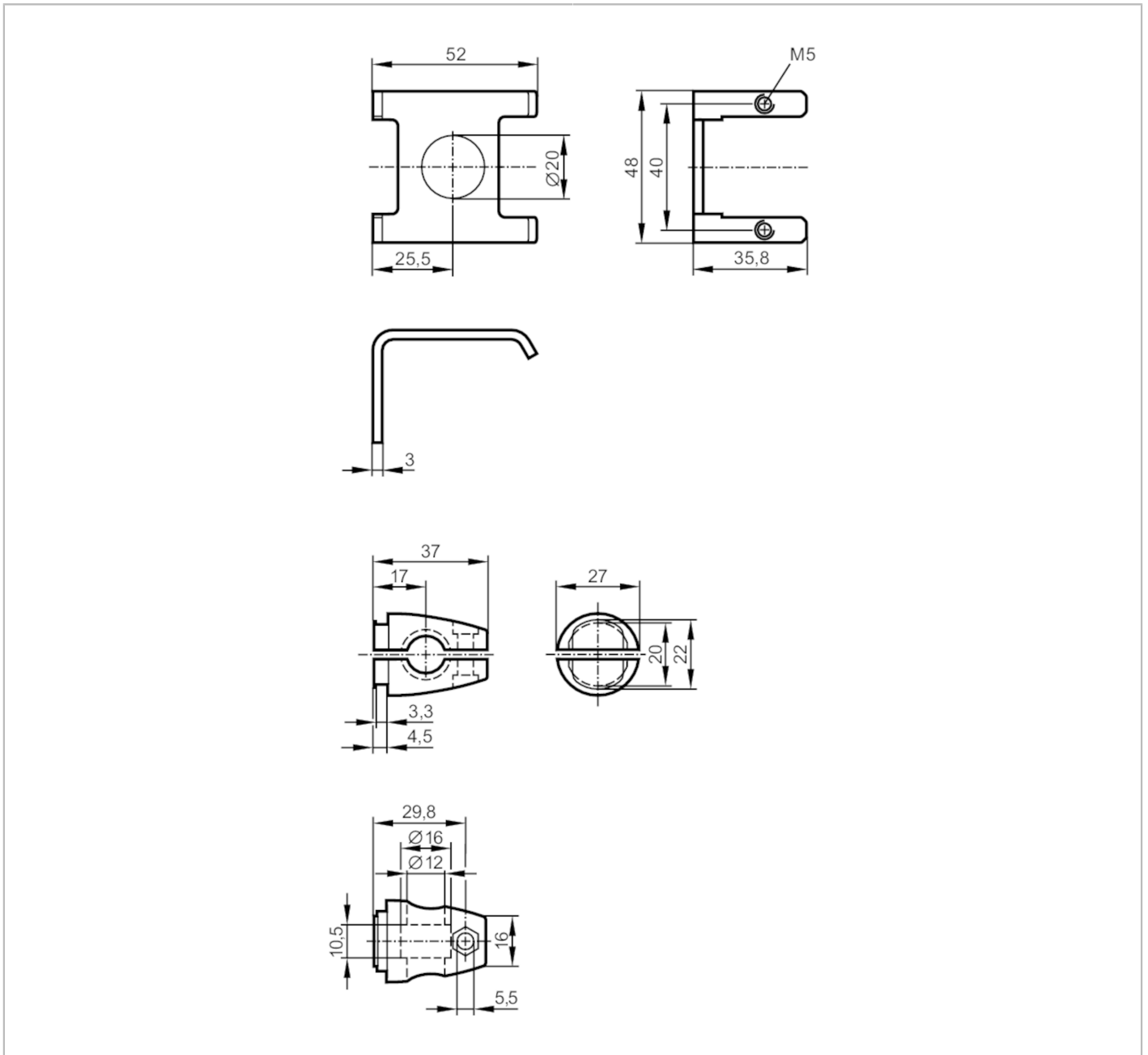


E21118



Mounting set for photoelectric sensors

O4 MOUNTING BRACKET ROD



Application	
Design	clamp mounting
Mechanical data	
Weight [g]	246.5
Materials	stainless steel (1.4404 / 316L); Clamp: diecast zinc
Accessories	
Items supplied	head cap screw: 1 x M10 x 120
	Nuts: 2 x M10
	cylinder screws: 2 x M5 x 10
	nut: 1 x M5
	head cap screw: 1 x M5 x 16

E21118



Mounting set for photoelectric sensors

O4 MOUNTING BRACKET ROD

Remarks

Pack quantity

1 pcs.