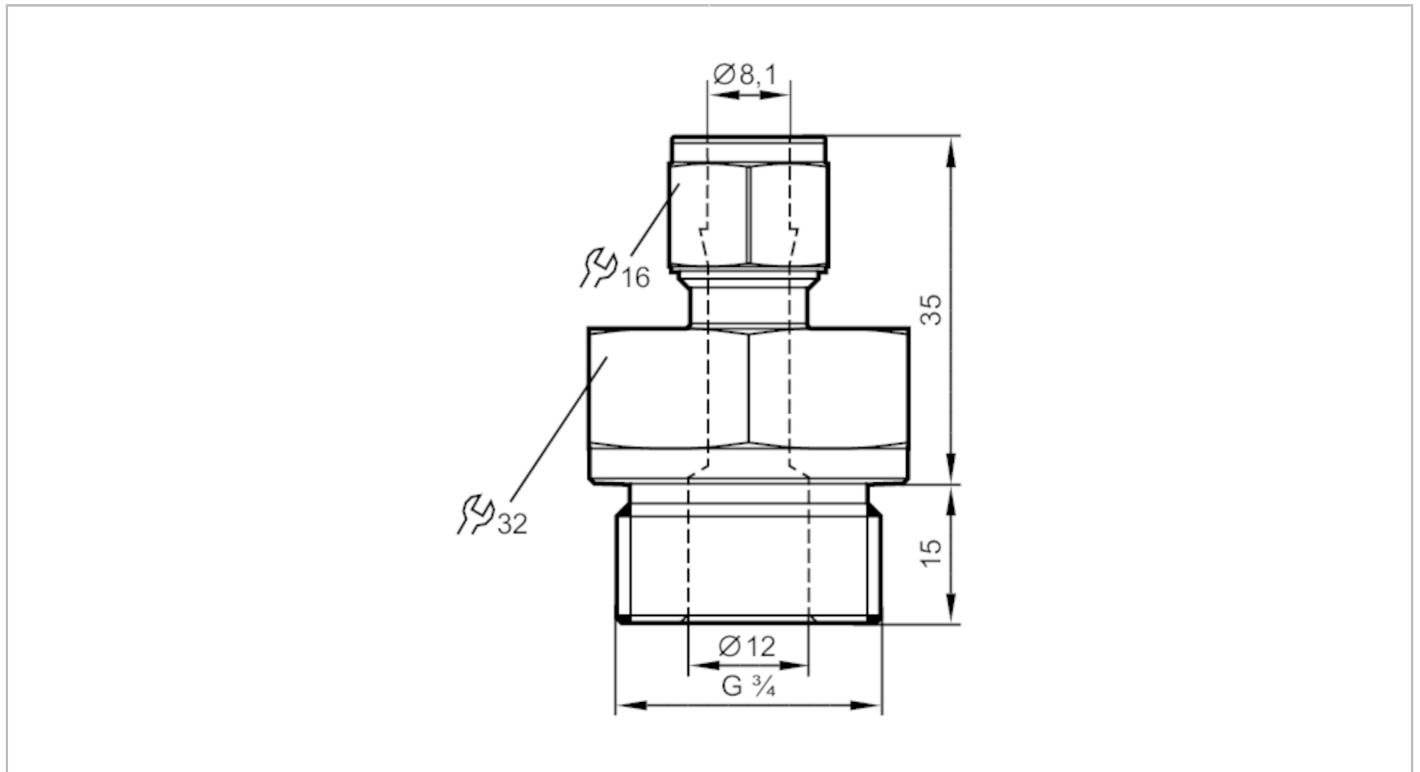


# E40268



## Progressive ring fitting

COMPRESSION FITTING G3/4 METALLIC SEALIN



### ACS KTW/W270 Reg31

Application	
Installation	Progressive ring fitting
Tests / approvals	
Pressure Equipment Directive	A possible classification to PED depends on the application and has to be carried out by the user / operator.
Pressure Equipment Directive EAC	The adapter is intended for use in devices, machines and installations that do not fall under the categories of the technical rule TR CU 032/2013.
Safety instructions	The compatibility between medium and product material has to be checked in all applications.
Mechanical data	
Weight [g]	161
Materials	stainless steel (1.4404 / 316L)
Sensor connection	Ø 8 mm
Process connection	threaded connection G 3/4
Remarks	
Pack quantity	1 pcs.