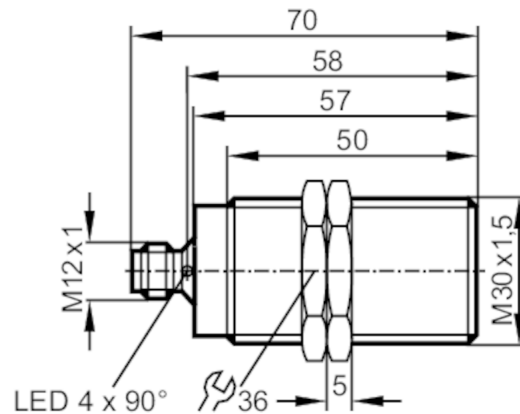




Inductive sensor

IIA3010-BPKG/US-104-DPS



Product characteristics

Electrical design	PNP
Output function	normally open
Sensing range [mm]	10
Housing	threaded type
Dimensions [mm]	M30 x 1.5 / L = 70

Electrical data

Operating voltage [V]	10...36 DC
Current consumption [mA]	15; (24 V)
Protection class	II
Reverse polarity protection	yes

Outputs

Electrical design	PNP
Output function	normally open
Max. voltage drop switching output DC [V]	2.5
Permanent current rating of switching output DC [mA]	250
Switching frequency DC [Hz]	450
Short-circuit protection	yes
Type of short-circuit protection	pulsed
Overload protection	yes

Detection zone

Sensing range [mm]	10
Real sensing range Sr [mm]	10 ± 10 %
Operating distance [mm]	0...8.1

Accuracy / deviations

Correction factor	steel: 1 / stainless steel: 0.7 / brass: 0.4 / aluminium: 0.3 / copper: 0.2
Hysteresis [% of Sr]	1...15

II5853



Inductive sensor

IIA3010-BPKG/US-104-DPS

Switch point drift	[% of Sr]	-10...10
--------------------	-----------	----------

Operating conditions

Ambient temperature	[°C]	-25...80
---------------------	------	----------

Protection	IP 67
------------	-------

Tests / approvals

EMC	EN 60947-5-2	
-----	--------------	--

	EN 55011	class B
--	----------	---------

MTTF	[years]	1743
------	---------	------

Mechanical data

Weight	[g]	163.5
--------	-----	-------

Housing	threaded type
---------	---------------

Mounting	flush mountable
----------	-----------------

Dimensions	[mm]	M30 x 1.5 / L = 70
------------	------	--------------------

Thread designation	M30 x 1.5
--------------------	-----------

Materials	brass white bronze coated; CO-PC
-----------	----------------------------------

Displays / operating elements

Display	switching status	4 x LED, yellow
---------	------------------	-----------------

Accessories

Items supplied	lock nuts: 2
----------------	--------------

Remarks

Pack quantity	1 pcs.
---------------	--------

Electrical connection - plug

Connector: 1 x M12; coding: A



Connection

