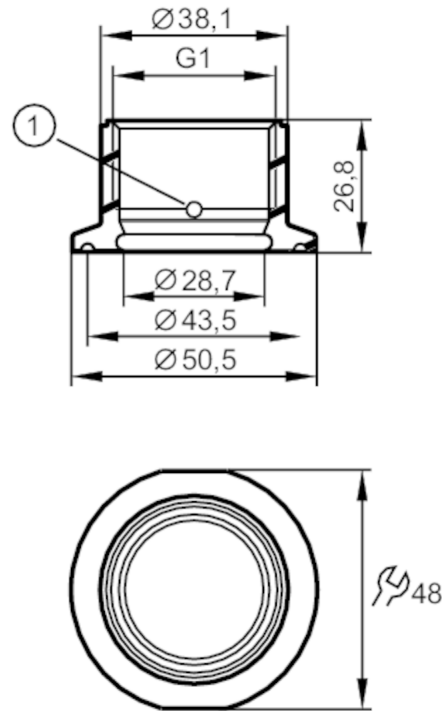


E33602



Process adapter Tri-Clamp

ADAPT G1-CLAMP ISO2852/1-1.5



1: Leakage port



EC 1935/2004 FDA

Application	
Design	with leakage port
Pressure rating [bar]	100
Tests / approvals	
Pressure Equipment Directive	A possible classification to PED depends on the application and has to be carried out by the user / operator.
Pressure Equipment Directive EAC	The adapter is intended for use in devices, machines and installations that do not fall under the categories of the technical rule TR CU 032/2013.
Safety instructions	The compatibility between medium and product material has to be checked in all applications.
Mechanical data	
Weight [g]	156.5
Materials (wetted parts)	stainless steel (1.4435 / 316L) ; surface characteristics : Ra<0,4 / Rz 4
Sensor connection	G 1 sealing cone
Process connection	Clamp DN25...DN40 (1...1,5") DIN 32676 (ISO 2852)
Sealing	Gasket
Hygienic equipment class to DIN 11866	H4
Accessories	
Items supplied	O-ring: 26 x 3, EPDM, FDA compliant, E30438 O-ring: 26 x 3, FKM, FDA compliant, E30437
Remarks	
Pack quantity	1 pcs.