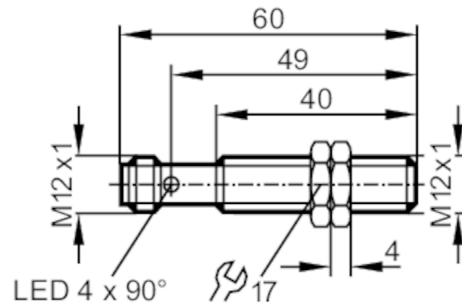


IFC264



Inductive full-metal sensor

IFK32,5BAPKG/AM/US-104/K0



Product characteristics

Electrical design		PNP
Output function		normally closed
Sensing range	[mm]	2.5
Housing		threaded type
Dimensions	[mm]	M12 x 1 / L = 60

Application

Special feature		Gold-plated contacts; Increased sensing range; Full-metal housing; Correction factor K = 0
Application		Use in machine tools, coolants and lubricants
Media		ferrous only; aluminium chip immune
Pressure rating	[bar]	100
Note on pressure rating		sensing face

Electrical data

Operating voltage	[V]	10...30 DC
Current consumption	[mA]	< 20
Protection class		III
Reverse polarity protection		yes

Outputs

Electrical design		PNP
Output function		normally closed
Max. voltage drop switching output DC	[V]	2.5
Permanent current rating of switching output DC	[mA]	100
Switching frequency DC	[Hz]	100
Short-circuit protection		yes
Type of short-circuit protection		pulsed
Overload protection		yes

Detection zone

Sensing range	[mm]	2.5
Operating distance	[mm]	0...2.02

IFC264



Inductive full-metal sensor

IFK32,5BAPKG/AM/US-104/K0

Increased sensing range	yes
-------------------------	-----

Accuracy / deviations

Correction factor	steel: 1 / stainless steel: 0.5
-------------------	---------------------------------

Correction factor K = 0	yes
-------------------------	-----

Operating conditions

Ambient temperature [°C]	-25...70
--------------------------	----------

Protection	IP 68; ("Coolant")
------------	--------------------

Tests / approvals

EMC	EN 61000-4-2 ESD	4 kV CD / 8 kV AD
	EN 61000-4-3 HF radiated	10 V/m
	EN 61000-4-4 Burst	2 kV
	EN 61000-4-6 HF conducted	10 V
	EN 55011	class B

Impact resistance	1 J
-------------------	-----

MTTF [years]	1258
--------------	------

Embedded software included	yes
----------------------------	-----

UL approval	Ta	-25...70 °C
	Enclosure type	Type 1
	power supply	Limited Voltage/Current
	UL Approval no.	A012
	File number UL	E174191

Mechanical data

Weight [g]	28
------------	----

Housing	threaded type
---------	---------------

Mounting	flush mountable
----------	-----------------

Dimensions [mm]	M12 x 1 / L = 60
-----------------	------------------

Thread designation	M12 x 1
--------------------	---------

Materials	housing: stainless steel (1.4404 / 316L); sensing face: stainless steel (1.4404 / 316L); LED window: PEI; lock nuts: brass white bronze coated
-----------	--

Tightening torque [Nm]	15
------------------------	----

Full-metal housing	yes
--------------------	-----

Displays / operating elements

Display	switching status	4 x 90° LED, yellow
---------	------------------	---------------------

Accessories

Items supplied	lock nuts: 2
----------------	--------------

Remarks

Pack quantity	1 pcs.
---------------	--------

Electrical connection



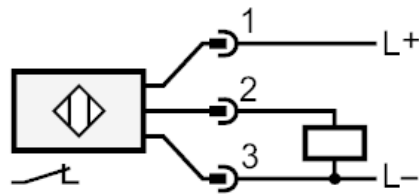
IFC264



Inductive full-metal sensor

IFK32,5BAPKG/AM/US-104/K0

Connection



Electrical connection - plug

Connector: 1 x M12; Contacts: gold-plated