

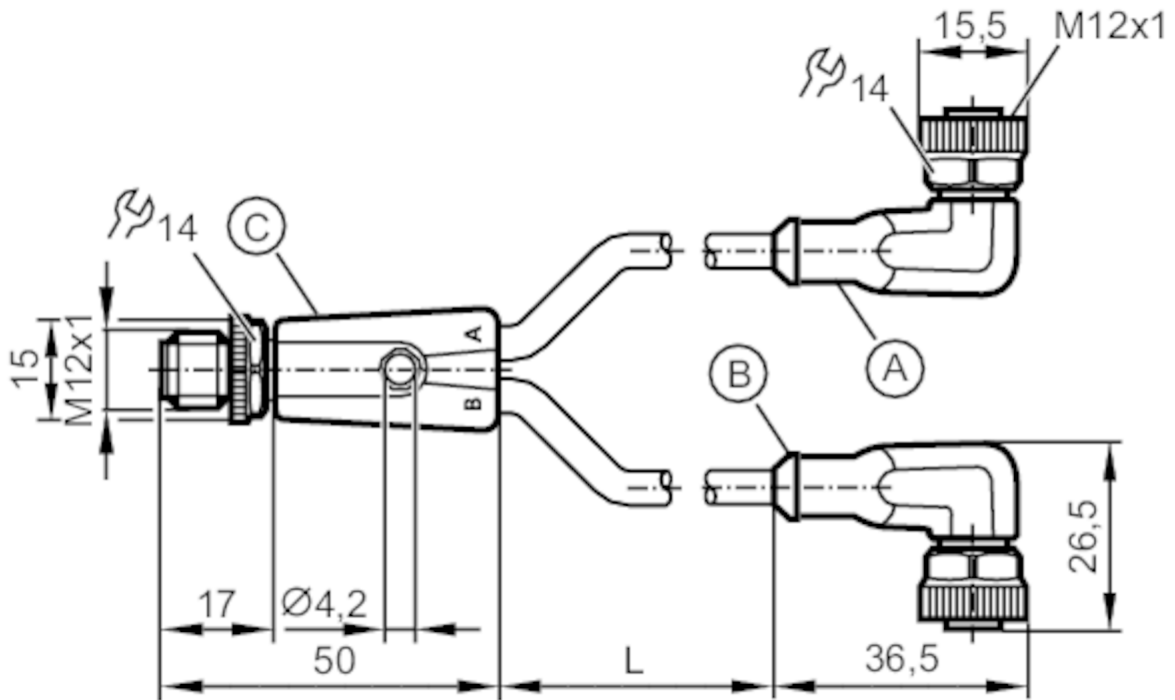
EVC503



Y connection cable

YDOAHXX0MSS0,25HXXSTGH050MSS

Please see the technical note under "Downloads"



- A - input cable grey
- C - octavis cable black
- B - octavis cable black



Application

Special feature	Free from silicone; Halogen-free; Gold-plated contacts; Drag chain suitability
Free from silicone	yes

Electrical data

Operating voltage	[V]	10...30 DC
Protection class		II
Max. current load total	[A]	3

Operating conditions

Ambient temperature	[°C]	-25...90
Protection		IP 65; IP 67; IP 68; IP 69K

Mechanical data

Weight	[g]	64.7
Moulded-body material		TPU
Material nut		brass, nickel-plated
Sealing material		FKM
Number of ports splitter box		2
Drag chain suitability		yes

EVC503



Y connection cable

YDOAHXX0MSS0,25HXXSTGH050MSS

Drag chain suitability	bending radius for flexible use	min. 10 x cable diameter
	travel speed	max. 3.3 m/s for a horizontal travel length of 5 m and max. acceleration of 5 m/s ²
	bending cycles	> 2 Mio.
	torsional strain	± 180 °/m

Remarks	
Notes	Please see the technical note under "Downloads"
Pack quantity	1 pcs.

Electrical connection

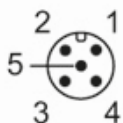
Cable: 0.25 m, PUR, Halogen-free, black, Ø 4.6 mm; 5 x 0.34 mm² (42 x Ø 0.1 mm)

Cable: 0.25 m, PUR, Halogen-free, grey, Ø 4.5 mm; 3 x 0.25 mm² (32 x Ø 0.1mm)

Electrical connection - plug C

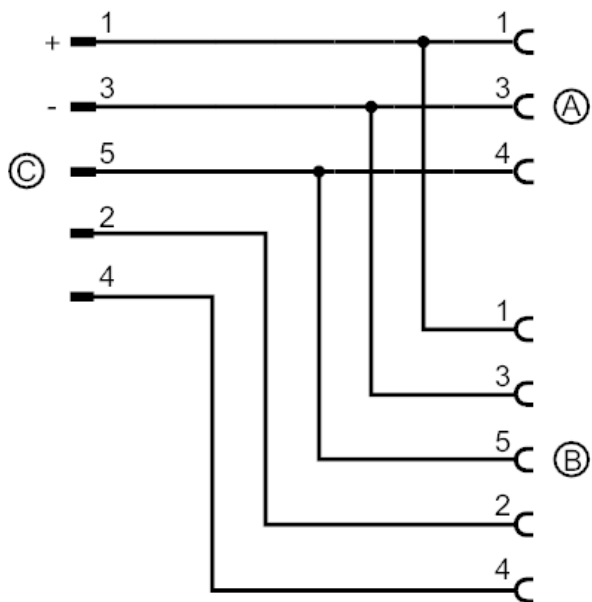
Connector: 1 x M12, straight; coding: A; Moulded body: TPU, orange; Locking: brass, nickel-plated; Contacts: gold-plated;

Tightening torque: 0.6...1.5 Nm



Electrical connection

Connection



EVC503



Y connection cable

YDOAHXX0MSS0,25HXXSTGH050MSS

Electrical connection - socket A

Connector: 1 x M12, angled; coding: A; Moulded body: TPU, orange; Locking: brass, nickel-plated; Sealing: FKM; Contacts: gold-plated; Tightening torque: 0.6...1.5 Nm



Electrical connection - socket B

Connector: 1 x M12, angled; coding: A; Moulded body: TPU, orange; Locking: brass, nickel-plated; Sealing: FKM; Contacts: gold-plated; Tightening torque: 0.6...1.5 Nm

