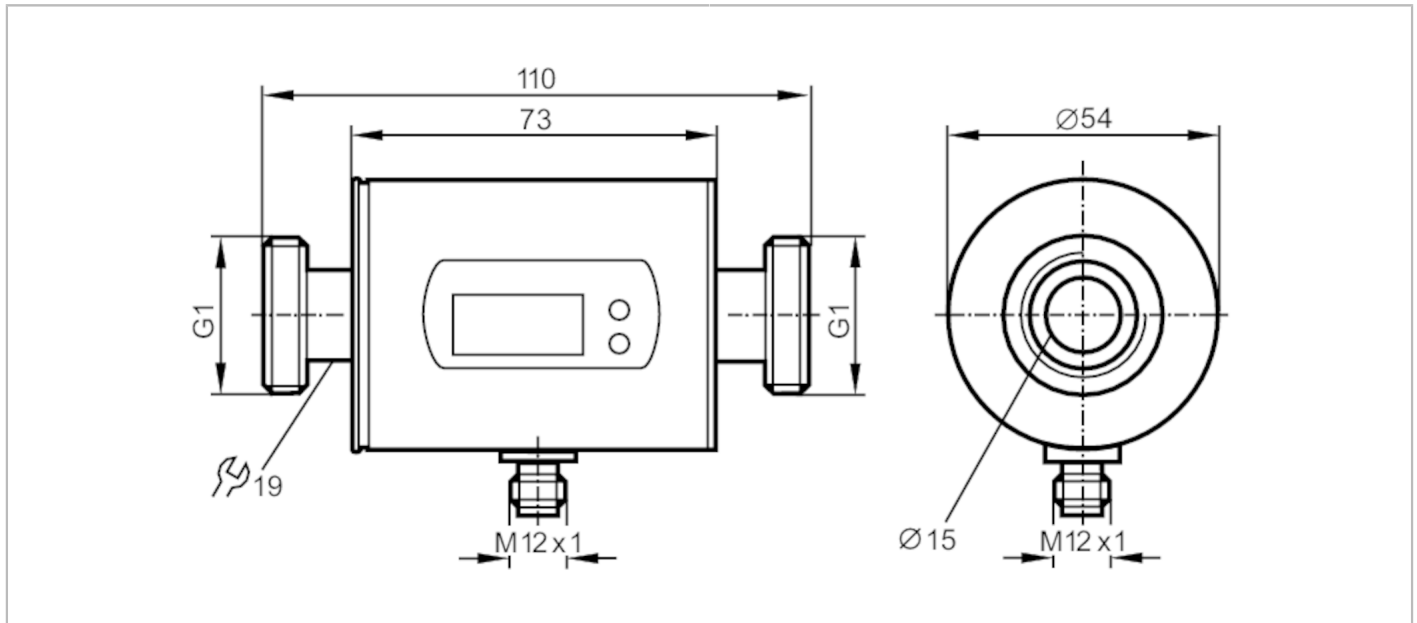


SM8004



Magnetic-inductive flow meter

SMR11GGX50KG/US100



Product characteristics	
Number of inputs and outputs	Number of analogue outputs: 2
Measuring range	0.2...100 l/min 0.1...26.4 gpm
Process connection	threaded connection G 1 external thread DN25 flat seal
Application	
Special feature	Gold-plated contacts
Application	for industrial applications
Installation	connection to pipe by means of an adapter
Media	conductive liquids; water; hydrous media
Note on media	conductivity: $\geq 20 \mu\text{S/cm}$ viscosity: $< 70 \text{ mm}^2/\text{s}$ (40 °C)
Medium temperature [°C]	-10...70
Pressure rating	16 bar 1.6 MPa
MAWP (for applications according to CRN) [bar]	11.2
Electrical data	
Operating voltage [V]	20...30 DC; (to SELV/PELV)
Current consumption [mA]	120; (24 V)
Protection class	III
Reverse polarity protection	yes
Power-on delay time [s]	5
Measuring principle	magnetic-inductive
Inputs / outputs	
Number of inputs and outputs	Number of analogue outputs: 2
Outputs	
Total number of outputs	2
Output signal	analogue signal

SM8004



Magnetic-inductive flow meter

SMR11GGX50KG/US100

Number of analogue outputs		2
Analogue current output	[mA]	4...20; (scalable)
Max. load	[Ω]	500
Overload protection		yes

Measuring/setting range

Measuring range	0.2...100 l/min	0.1...26.4 gpm
Display range	-120...120 l/min	-31.7...31.7 gpm
Resolution	0.1 l/min	0.05 gpm
Analogue start point ASP	0...80 l/min	0...21.1 gpm
Analogue end point AEP	20...100 l/min	5.3...26.4 gpm
In steps of	0.1 l/min	0.05 gpm

Temperature monitoring

Measuring range	[°C]	-20...80
Resolution	[°C]	0.2
Analogue start point	[°C]	-20...60
Analogue end point	[°C]	0...80
In steps of	[°C]	0.2

Accuracy / deviations

Flow monitoring		
Accuracy (in the measuring range)		± (2 % MW + 0,5 % MEW)
Repeatability		± 0,2% MEW

Temperature monitoring

Accuracy	[K]	± 2,5 (Q > 1 l/min)
----------	-----	---------------------

Response times

Flow monitoring		
Response time	[s]	0.15; (dAP = 0, T19)
Damping process value dAP	[s]	0...3

Temperature monitoring

Dynamic response T05 / T09	[s]	T09 = 20 (Q > 1 l/min)
----------------------------	-----	------------------------

Operating conditions

Ambient temperature	[°C]	-10...60
Storage temperature	[°C]	-25...80
Protection		IP 67

Tests / approvals

EMC	DIN EN 60947-5-9	500 V withstand voltage (V DC)
CPA approval	model number	009MI
	accuracy class	-
	maximum allowable error	± 2,5 % FS
	Q (min)	0,01 m³/h
	Q (t)	-
	Q (max)	6 m³/h
Shock resistance	DIN IEC 68-2-27	20 g (11 ms)
Vibration resistance	DIN IEC 68-2-6	5 g (10...2000 Hz)
MTTF	[years]	175

SM8004



Magnetic-inductive flow meter

SMR11GGX50KG/US100

Pressure Equipment Directive Sound engineering practice; can be used for group 2 fluids; group 1 fluids on request

Mechanical data

Weight	[g]	576.9
Housing		cylindrical
Dimensions	[mm]	Ø 54 / L = 110
Materials		stainless steel (316L/1.4404); PBT-GF20; PC; FKM; TPE
Materials (wetted parts)		stainless steel (316L/1.4404); PEEK; FKM
Process connection		threaded connection G 1 external thread DN25 flat seal

Displays / operating elements

Display	Display unit	6 x LED, green (l/min, m³/h, gpm, gph, °C, °F)
	measured values	alphanumeric display, 4-digit
	programming	alphanumeric display, 4-digit
Display unit		l/min; m³/h; gpm; gph; °C; °F

Remarks

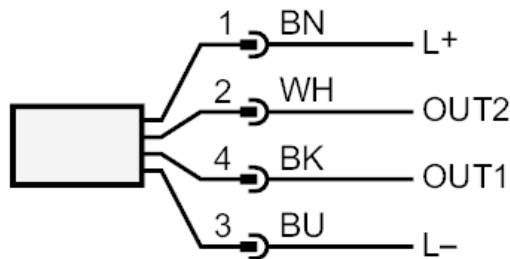
Remarks	MW = measured value
	MEW = Final value of the measuring range
Pack quantity	1 pcs.

Electrical connection

Connector: 1 x M12; coding: A; Contacts: gold-plated



Connection



colours to DIN EN 60947-5-2
 OUT1: analogue output Temperature monitoring
 OUT2: analogue output volumetric flow quantity monitoring
 Core colours :
 BK = black
 BN = brown
 BU = blue
 WH = white

SM8004

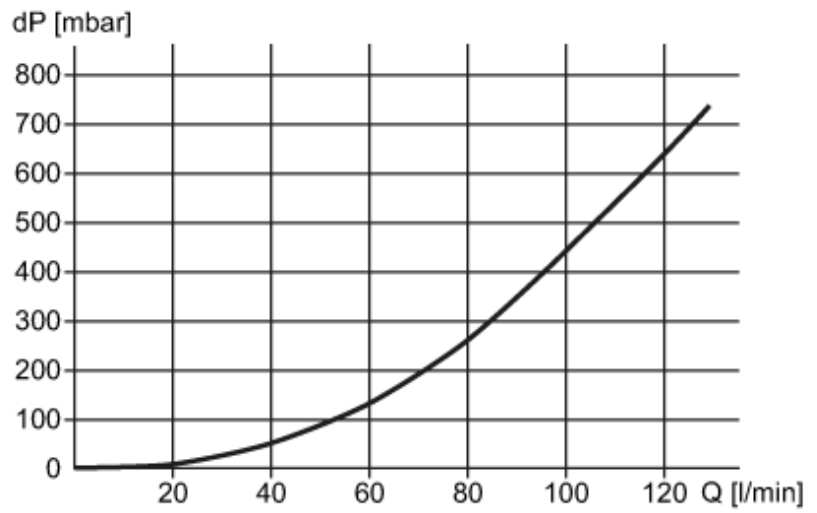


Magnetic-inductive flow meter

SMR11GGX50KG/US100

Diagrams and graphs

Pressure loss



dP Pressure loss

Q volumetric flow quantity