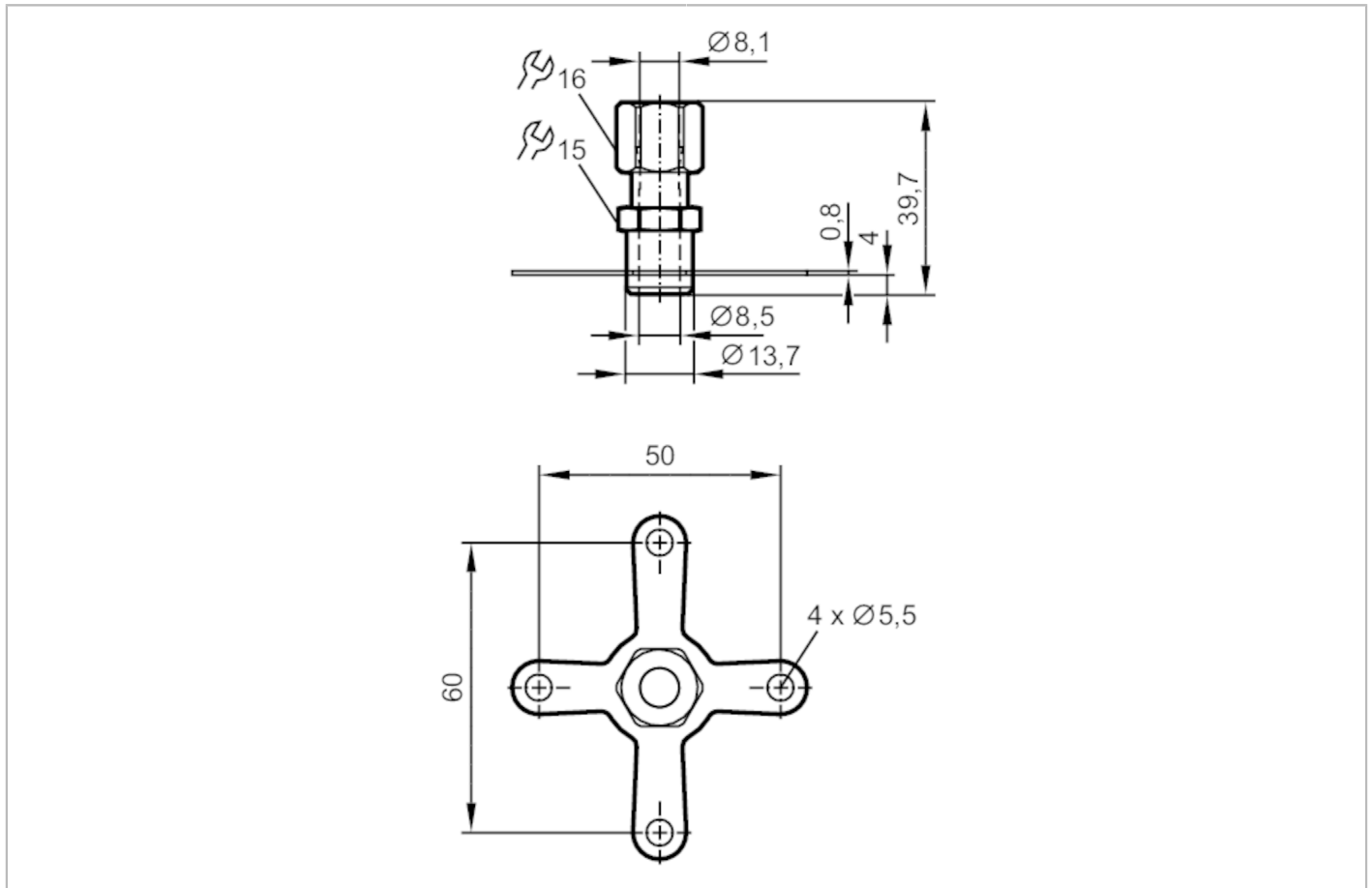


# E43909



## Mounting adapter for flow sensors

ADAPTION SHEET WELDED D8



Application	
Installation	Progressive ring fitting
Media	liquids and gases of the fluid group 2 according to the Pressure Equipment Directive (PED)
Tests / approvals	
Pressure Equipment Directive EAC	The adapter is intended for use in devices, machines and installations that do not fall under the categories of the technical rule TR CU 032/2013.
Mechanical data	
Weight [g]	103.85
Materials	stainless steel (1.4404 / 316L); stainless steel (1.4435 / 316L)
Sensor connection	Ø 8 mm
Remarks	
Pack quantity	1 pcs.