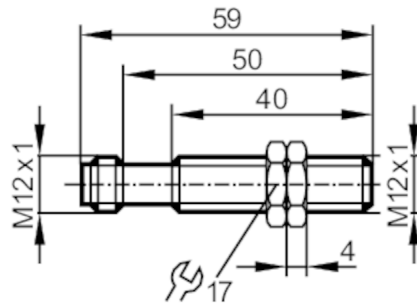


IF5514



Inductive sensor

IFK3002-BPKG/V4A/US-100/OLED



Product characteristics

Electrical design	PNP
Output function	normally open
Sensing range [mm]	2
Housing	threaded type
Dimensions [mm]	M12 x 1 / L = 59

Application

Special feature	Gold-plated contacts
Application	Industrial applications / factory automation

Electrical data

Operating voltage [V]	10...36 DC
Current consumption [mA]	< 15
Protection class	II
Reverse polarity protection	yes

Outputs

Electrical design	PNP
Output function	normally open
Max. voltage drop switching output DC [V]	2.5
Permanent current rating of switching output DC [mA]	200
Short-time current rating of switching output [mA]	200
Switching frequency DC [Hz]	200
Short-circuit protection	yes
Overload protection	yes

Detection zone

Sensing range [mm]	2
Real sensing range Sr [mm]	2 ± 10 %
Operating distance [mm]	0...1.62

Accuracy / deviations

Correction factor	steel: 1 / stainless steel: 0.7 / brass: 0.4 / aluminium: 0.3 / copper: 0.2
-------------------	---

IF5514



Inductive sensor

IFK3002-BPKG/V4A/US-100/OLED

Hysteresis	[% of Sr]	1...15
Switch point drift	[% of Sr]	-10...10

Operating conditions

Ambient temperature	[°C]	-25...80
Protection		IP 67

Tests / approvals

EMC	EN 61000-4-2 ESD	4 kV CD / 8 kV AD
	EN 61000-4-3 HF radiated	3 V/m
	EN 61000-4-4 Burst	2 kV
	EN 61000-4-6 HF conducted	3 V
	EN 55011	class B
MTTF	[years]	2002

Mechanical data

Weight	[g]	28.2
Housing		threaded type
Mounting		flush mountable
Dimensions	[mm]	M12 x 1 / L = 59
Thread designation		M12 x 1
Materials		stainless steel (1.4571/316Ti); sensing face: PBT
Tightening torque	[Nm]	10

Accessories

Items supplied	lock nuts: 2, stainless steel
----------------	-------------------------------

Remarks

Pack quantity	1 pcs.
---------------	--------

Electrical connection - plug

Connector: 1 x M12; coding: A; Contacts: gold-plated



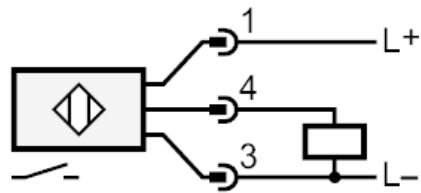
IF5514



Inductive sensor

IFK3002-BPKG/V4A/US-100/OLED

Connection



Diagrams and graphs

Installation

