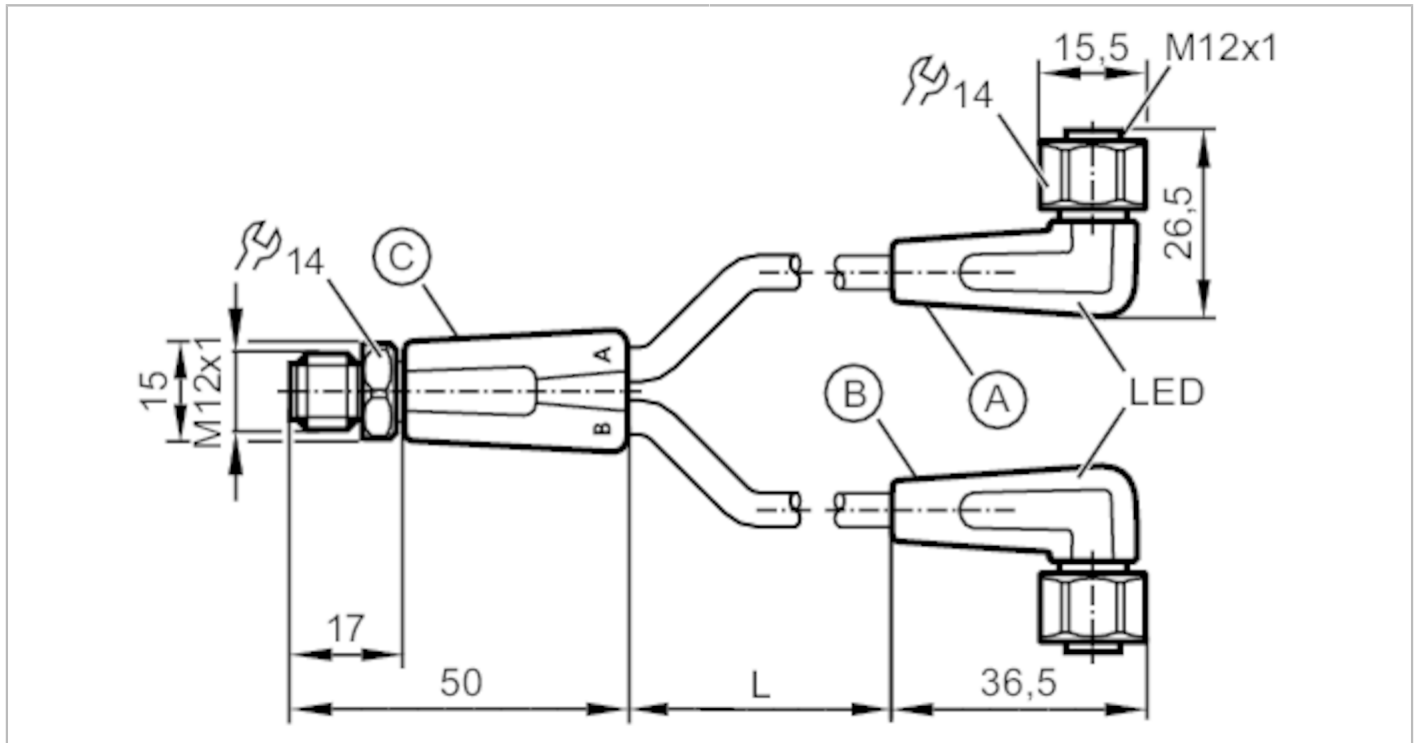


# EVT335



## Y connection cable

YDOAH032VAS0001E03STGH040VAS



| Application                          |  |
|--------------------------------------|--|
| Special feature                      | Free from silicone; Gold-plated contacts; Drag chain suitability |
| Application                          | hygienic and wet areas in the food industry                      |
| Free from silicone                   | yes  |
| Electrical data                      |  |
| Operating voltage [V]                | 10...36 DC   |
| Protection class                     | II   |
| Max. current load total [A]          | 4  |
| Outputs                              |  |
| Electrical design                    | PNP  |
| Operating conditions                 |  |
| Ambient temperature [°C]             | -25...100  |
| Note on ambient temperature          | cULus: ...50 °C  |
| Ambient temperature (moving) [°C]    | 5...100  |
| Note on ambient temperature (moving) | cULus: ...50 °C  |
| Protection                           | IP 65; IP 67; IP 68; IP 69K                                      |
| Mechanical data                      |  |
| Weight [g]                           | 113.1  |
| Moulded-body material                | PVC  |
| Material nut                         | stainless steel (1.4404 / 316L)                                  |
| Sealing material                     | EPDM   |
| Number of ports splitter box         | 2  |

# EVT335



## Y connection cable

YDOAH032VAS0001E03STGH040VAS

|                        |                                 |  |
|------------------------|---------------------------------|--|
| Drag chain suitability | yes                             |  |
| Drag chain suitability | bending radius for flexible use | min. 10 x cable diameter   |
|                        | travel speed                    | max. 3.3 m/s for a horizontal travel length of 5 m and max. acceleration of 5 m/s <sup>2</sup> |
|                        | bending cycles                  | > 1 Mio.   |
|                        | torsional strain                | ± 180 °/m  |

### Displays / operating elements

|         |                  |                 |
|---------|------------------|-----------------|
| Display | switching status | 1 x LED, yellow |
|         | operation        | 1 x LED, green  |

### Remarks

|               |        |
|---------------|--------|
| Pack quantity | 1 pcs. |
|---------------|--------|

### Electrical connection

Cable: 1 m, PVC, orange, Ø 4.9 mm; 3 x 0.34 mm<sup>2</sup> (42 x Ø 0.1 mm )

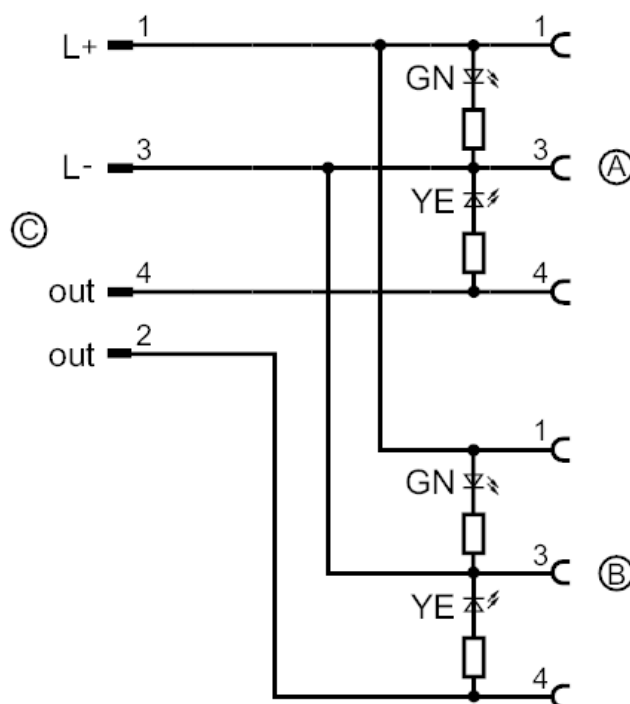
### Electrical connection - plug

Connector: 1 x M12, straight; coding: A; Moulded body: PVC, orange; Locking: stainless steel (1.4404 / 316L); Contacts: gold-plated; Tightening torque: 0.6...1.5 Nm



### Electrical connection

#### Connection



# EVT335



## Y connection cable

YDOAH032VAS0001E03STGH040VAS

### Electrical connection - socket

Connector: 2 x M12, angled; coding: A; Moulded body: PVC, black transparent; Locking: stainless steel (1.4404 / 316L); Sealing: EPDM; Contacts: gold-plated; Tightening torque: 0.6...1.5 Nm

