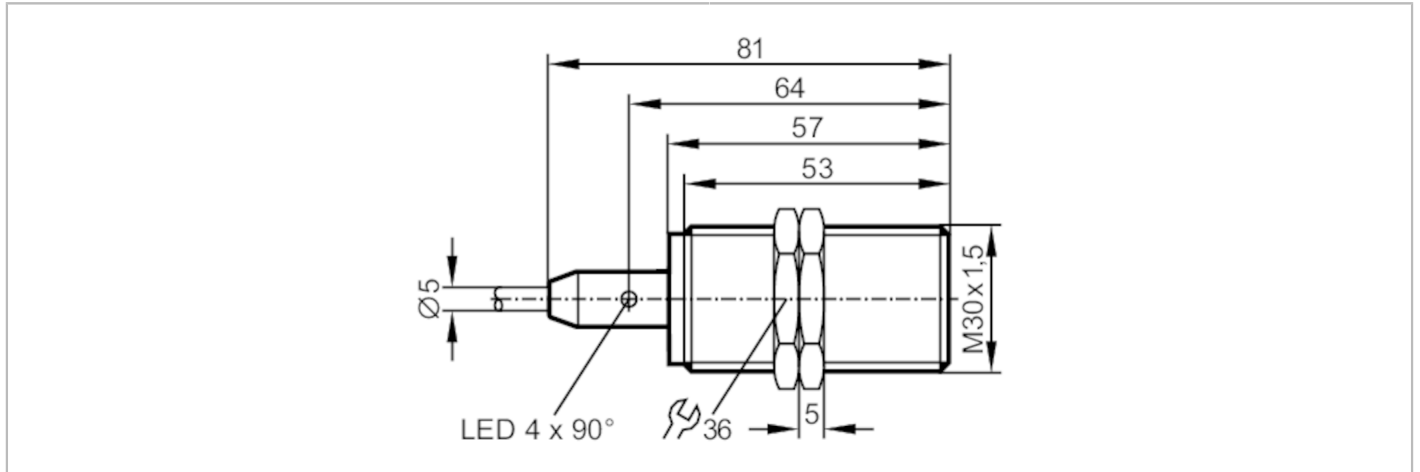




Inductive sensor

IIC014BASKG/M/V4A/20M



Product characteristics	
Electrical design	PNP/NPN
Output function	normally open
Sensing range [mm]	14
Housing	threaded type
Dimensions [mm]	M30 x 1.5 / L = 81
Application	
Special feature	Increased sensing range; Optical setting aid
Application	regular cleaning processes
Electrical data	
Operating voltage [V]	10...36 DC
Current consumption [mA]	< 10; (only in 3-wire operation)
Protection class	II
Reverse polarity protection	yes
Outputs	
Electrical design	PNP/NPN
Output function	normally open
Max. voltage drop switching output DC [V]	2.5
Minimum load current [mA]	2; (only in 2-wire operation)
Max. leakage current [mA]	0.5; (only in 2-wire operation)
Permanent current rating of switching output DC [mA]	100
Switching frequency DC [Hz]	100
Short-circuit protection	yes
Type of short-circuit protection	pulsed
Overload protection	yes
Detection zone	
Sensing range [mm]	14

IIT239



Inductive sensor

IIC014BASKG/M/V4A/20M

Real sensing range Sr	[mm]	14 ± 10 %
Operating distance	[mm]	0...11.34
Increased sensing range		yes

Accuracy / deviations

Correction factor		steel: 1 / stainless steel: 0.7 / brass: 0.5 / aluminium: 0.4 / copper: 0.3
Hysteresis	[% of Sr]	3...15
Switch point drift	[% of Sr]	-10...10

Operating conditions

Ambient temperature	[°C]	0...100
Protection		IP 68; IP 69K

Tests / approvals

EMC	EN 61000-4-2 ESD	4 kV CD / 8 kV AD
	EN 61000-4-3 HF radiated	10 V/m
	EN 61000-4-4 Burst	2 kV
	EN 61000-4-5 Surge	0,5 kV line to line, Ri: 2 Ohm
	EN 61000-4-6 HF conducted	10 V
	EN 55011	class B
MTTF	[years]	1479
UL approval	Ta	0...40 °C
	Enclosure type	Type 1
	power supply	Limited Voltage/Current
	File number UL	E174191

Mechanical data

Weight	[g]	787
Housing		threaded type
Mounting		flush mountable
Dimensions	[mm]	M30 x 1.5 / L = 81
Thread designation		M30 x 1.5
Materials		stainless steel (1.4404 / 316L); sensing face: PEEK

Displays / operating elements

Display	switching status	4 x 90° LED, yellow
	setting aid	1 x LED, red
Optical setting aid		yes

Accessories

Items supplied		lock nuts: 2
----------------	--	--------------

Remarks

Remarks		suitable for PLC type 1 according to IEC 61131-2
Pack quantity		1 pcs.

IIT239



Inductive sensor

IIC014BASKG/M/V4A/20M

Electrical connection

Cable: 20 m, PVC; 3 x 0.34 mm²

Connection

