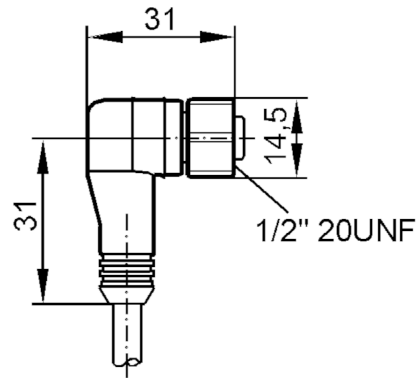


E18235



Connecting cable with socket

ADOAA030VAAS0010E03



Application

Special feature Gold-plated contacts

Electrical data

Operating voltage [V] < 300 AC/DC

Operating conditions

Ambient temperature [°C] -20...105

Protection IP 68

Mechanical data

Weight [g] 971.5

Materials PVC

Moulded-body material PVC

Material nut stainless steel (1.4571/316Ti)

Remarks

Pack quantity 1 pcs.

E18235



Connecting cable with socket

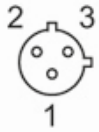
AD0AA030VAAS0010E03

Electrical connection

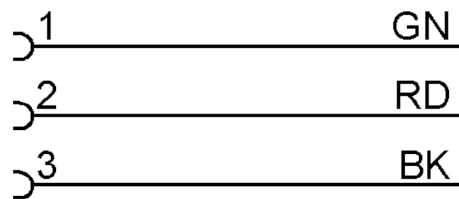
Cable: 10 m, PVC, grey; 3 x 0.75 mm² / AWG 18

Electrical connection - socket

Connector: 1 x 1/2", angled; coding: C; Moulded body: PVC; Locking: stainless steel (1.4571/316Ti); Contacts: gold-plated



Connection



BK = Core colours :
GN = black
RD = green
red