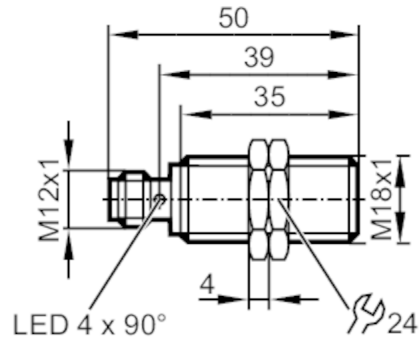


IG5497



Inductive sensor

IGB3005-APKG/US-104



Product characteristics

| | |
|--------------------|------------------|
| Electrical design | PNP |
| Output function | normally closed |
| Sensing range [mm] | 5 |
| Housing | threaded type |
| Dimensions [mm] | M18 x 1 / L = 50 |

Application

| | |
|-----------------|----------------------|
| Special feature | Gold-plated contacts |
|-----------------|----------------------|

Electrical data

| | |
|-----------------------------|------------|
| Operating voltage [V] | 10...30 DC |
| Current consumption [mA] | < 10 |
| Protection class | II |
| Reverse polarity protection | yes |

Outputs

| | |
|--|-----------------|
| Electrical design | PNP |
| Output function | normally closed |
| Max. voltage drop switching output DC [V] | 2.5 |
| Permanent current rating of switching output DC [mA] | 100 |
| Switching frequency DC [Hz] | 500 |
| Short-circuit protection | yes |
| Overload protection | yes |

Detection zone

| | |
|-------------------------------|--------------|
| Sensing range [mm] | 5 |
| Real sensing range S_r [mm] | $5 \pm 10\%$ |
| Operating distance [mm] | 0...4.05 |

Accuracy / deviations

| | |
|----------------------------------|---|
| Correction factor | steel: 1 / stainless steel: 0.7 / brass: 0.5 / aluminium: 0.4 / copper: 0.3 |
| Hysteresis [% of S_r] | 3...15 |
| Switch point drift [% of S_r] | -10...10 |

IG5497



Inductive sensor

IGB3005-APKG/US-104

Operating conditions

| | | |
|---------------------|------|----------|
| Ambient temperature | [°C] | -25...80 |
| Protection | | IP 67 |

Tests / approvals

| | | |
|----------------------------|--------------|---------|
| EMC | EN 60947-5-2 | |
| | EN 55011 | class B |
| MTTF | [years] | 1134 |
| Embedded software included | | yes |

Mechanical data

| | | |
|--------------------|------|---|
| Weight | [g] | 44.6 |
| Housing | | threaded type |
| Mounting | | flush mountable |
| Dimensions | [mm] | M18 x 1 / L = 50 |
| Thread designation | | M18 x 1 |
| Materials | | brass white bronze coated; sensing face: PBT orange; LED window: PEI; lock nuts: brass white bronze coated |

Displays / operating elements

| | | |
|---------|------------------|---------------------|
| Display | switching status | 4 x 90° LED, yellow |
|---------|------------------|---------------------|

Accessories

| | | |
|----------------|--|--------------|
| Items supplied | | lock nuts: 2 |
|----------------|--|--------------|

Remarks

| | | |
|---------------|--|--------|
| Pack quantity | | 1 pcs. |
|---------------|--|--------|

Electrical connection - plug

Connector: 1 x M12; coding: A; Contacts: gold-plated



Connection

