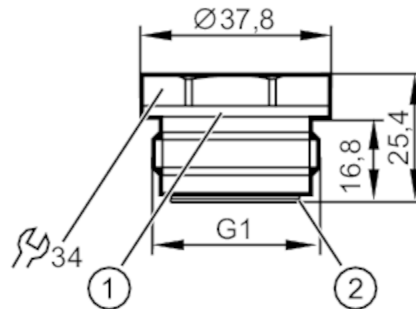


E30128



Cover plug for process connections

ADAPTER PLUG ASEPTOFLEX VARIO



- 1 groove for sealing ring DIN 3869-33-FKM
- 2 groove for O-ring 24 x 2 (EPDM) or optional sealing rings

EC 1935/2004 EHEDG Certified

Tests / approvals	
Pressure Equipment Directive	A possible classification to PED depends on the application and has to be carried out by the user / operator.
Pressure Equipment Directive EAC	The adapter is intended for use in devices, machines and installations that do not fall under the categories of the technical rule TR CU 032/2013.
Safety instructions	The compatibility between medium and product material has to be checked in all applications.
Mechanical data	
Weight [g]	203
Materials (wetted parts)	stainless steel (1.4435 / 316L) surface characteristics : Ra<0,4 / Rz 4; Gasket: FKM
Process connection	threaded connection G 1 external thread Aseptoflex Vario
Accessories	
Items supplied	O-rings: 1 x 24 x 2 (EPDM), in contact with the medium, E30054 O-rings: 1, DIN 3869-33-FKM
Accessories (optional)	O-ring: 24 x 2 (FKM), in contact with the medium, E30123 sealing ring: PEEK, in contact with the medium, E30124
Remarks	
Pack quantity	1 pcs.