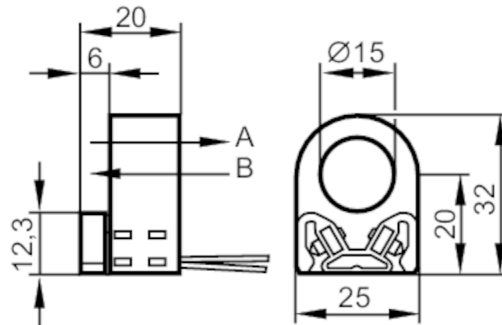


N7R31A



Inductive NAMUR ring sensor

I7R2015-NL/2M/1G/1D



A direction of movement A
B direction of movement B



Product characteristics

Electrical design	NAMUR
Output function	normally closed
Housing	circular
Dimensions [mm]	32 x 25 x 20

Application

Operating principle	bistable
---------------------	----------

Electrical data

Connection to switching amplifiers	yes
Switching amplifiers	connection to certified intrinsically safe circuits with the max. values: U = 15 V / I = 50 mA / P = 120 mW
Nominal voltage DC [V]	8.2; (1kΩ)
Current consumption [mA]	value for direction of movement A : < 1,2; value for direction of movement B : > 2,1
Protection class	III

Outputs

Electrical design	NAMUR
Output function	normally closed

Detection zone

Measuring ball (diameter) [mm]	6
Max. travel speed [m/s]	10

Accuracy / deviations

Hysteresis [mm]	2
-----------------	---

Operating conditions

Ambient temperature [°C]	-40...100
Note on ambient temperature	max. temperature span: 100 K
Protection	IP 67

Tests / approvals

Approval	BVS 08 ATEX E026; IECEx BVS 09.0016
ATEX marking	II 1G Ex ia IIC T4 Ga

N7R31A



Inductive NAMUR ring sensor

I7R2015-NL/2M/1G/1D

Ex II 1D Ex ia IIIC T125°C Da

EMC	EN 60947-5-2
MTTF [years]	1261

Safety classification

Max. internal capacitance [nF]	90
Max. internal inductance [μH]	65

Mechanical data

Weight [g]	67.5
Housing	circular
Dimensions [mm]	32 x 25 x 20
Inside diameter [mm]	15
Materials	PA 12-GF30

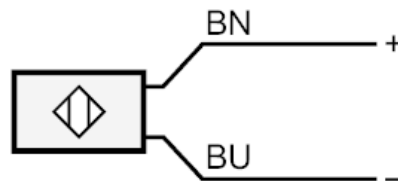
Remarks

Pack quantity	1 pcs.
---------------	--------

Electrical connection

Cable: 2 m; 2 x 0.14 mm², PTFE

Connection



BN = Core colours : brown
BU = blue