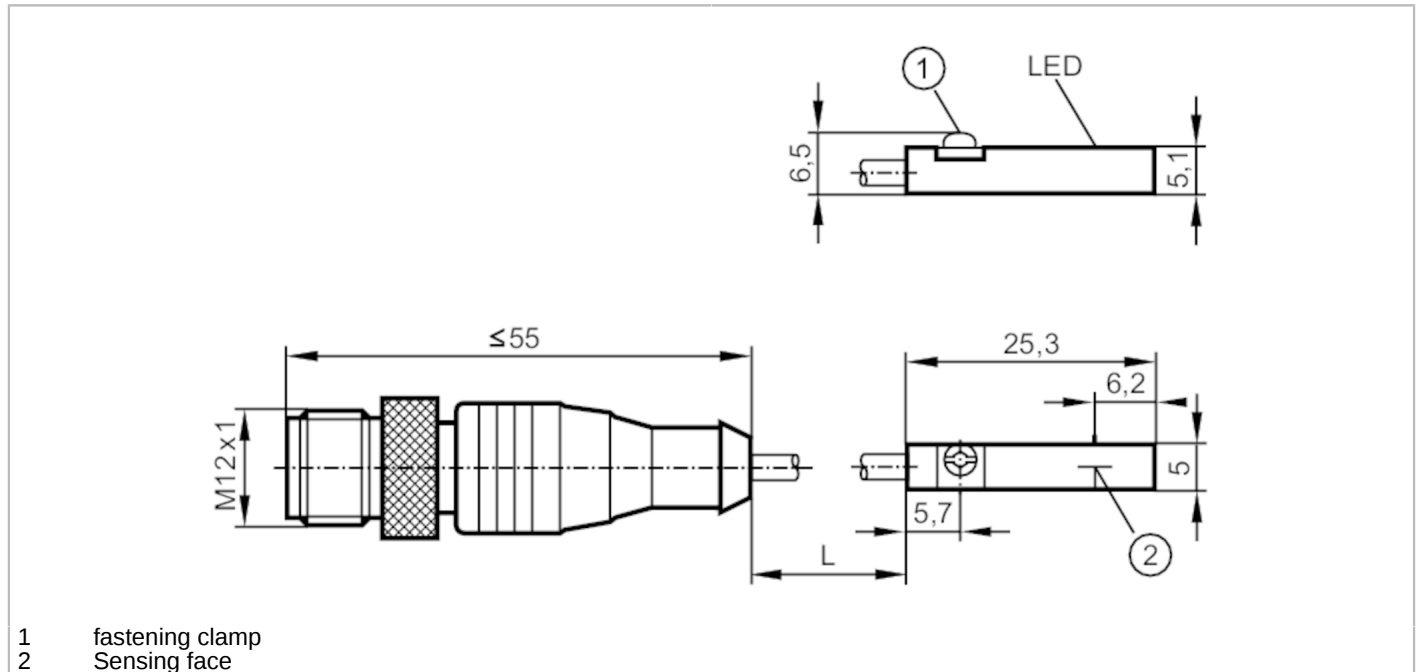


# MK5130



## T-slot cylinder sensor

MKT3028BBPKG/G/0,5M/ZH/US



### Product characteristics

Electrical design	PNP
Output function	normally open
Dimensions [mm]	25 x 5 x 6.5

### Electrical data

Operating voltage [V]	10...30 DC; ("supply class 2" to cULus)
Current consumption [mA]	< 10
Protection class	III
Reverse polarity protection	yes
Max. power-on delay time [ms]	30

### Outputs

Electrical design	PNP
Output function	normally open
Max. voltage drop switching output DC [V]	2.5
Permanent current rating of switching output DC [mA]	200
Switching frequency DC [Hz]	10000
Short-circuit protection	yes
Overload protection	yes

### Detection zone

Response sensitivity [mT]	2.8
Travel speed [m/s]	> 10

### Accuracy / deviations

Hysteresis [mm]	< 1.5
-----------------	-------

# MK5130



## T-slot cylinder sensor

MKT3028BBPKG/G/0,5M/ZH/US

Repeatability	[mm]	< 0.2
---------------	------	-------

### Operating conditions

Ambient temperature	[°C]	-25...85
Protection		IP 65; IP 67

### Tests / approvals

EMC	EN 61000-4-2 ESD	- CD / 8 kV AD
	EN 61000-4-3 HF radiated	10 V/m
	EN 61000-4-4 Burst	2 kV
	EN 61000-4-6 HF conducted	10 V
	EN 55011	class B
MTTF	[years]	3694
UL approval	UL Approval no.	C003

### Mechanical data

Weight	[g]	22.9
Mounting		flush mountable
Type of mounting		fastening clamp with combined slot / hexagon socket, width across flats 1.5
Cylinder type		T-slot cylinders
Dimensions	[mm]	25 x 5 x 6.5
Materials		housing: PA; fastening clamp: stainless steel

### Displays / operating elements

Display	switching status	1 x LED, yellow
---------	------------------	-----------------

### Accessories

Items supplied		rubber placeholder: 1 Cable clip: 1
----------------	--	--

### Remarks

Pack quantity		1 pcs.
---------------	--	--------

### Electrical connection - plug

Cable: 0.5 m, PUR

Connector: 1 x M12; coding: A; Locking: knurled nut, rotatable



# MK5130

## T-slot cylinder sensor

MKT3028BBPKG/G/0,5M/ZH/US



### Connection

