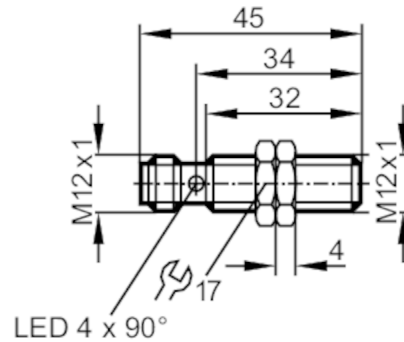


IFT204



Inductive sensor

IFB3004BAPKG/M/V4A/US-104-DPO



Product characteristics	
Electrical design	PNP
Output function	normally closed
Sensing range [mm]	4
Housing	threaded type
Dimensions [mm]	M12 x 1 / L = 45
Application	
Special feature	Gold-plated contacts; Increased sensing range
Application	regular cleaning processes
Electrical data	
Operating voltage [V]	10...36 DC
Current consumption [mA]	10; (24 V)
Protection class	II
Reverse polarity protection	yes
Outputs	
Electrical design	PNP
Output function	normally closed
Max. voltage drop switching output DC [V]	2.5
Permanent current rating of switching output DC [mA]	100
Switching frequency DC [Hz]	800
Short-circuit protection	yes
Type of short-circuit protection	pulsed
Overload protection	yes
Detection zone	
Sensing range [mm]	4
Operating distance [mm]	0...3.25
Increased sensing range	yes
Accuracy / deviations	
Correction factor	steel: 1 / stainless steel: 0.7 / brass: 0.5 / aluminium: 0.4 / copper: 0.3

IFT204



Inductive sensor

IFB3004BAPKG/M/V4A/US-104-DPO

Hysteresis	[% of Sr]	1...20
------------	-----------	--------

Operating conditions

Ambient temperature	[°C]	0...100
---------------------	------	---------

Protection	IP 68; IP 69K; ("COP")
------------	------------------------

Tests / approvals

EMC	EN 61000-4-2 ESD	4 kV CD / 8 kV AD
	EN 61000-4-3 HF radiated	10 V/m
	EN 61000-4-4 Burst	2 kV
	EN 61000-4-6 HF conducted	10 V
	EN 55011	class B

MTTF	[years]	1676
------	---------	------

UL approval	Ta	0...40 °C
	Enclosure type	Type 1
	power supply	Limited Voltage/Current
	File number UL	E174191

Mechanical data

Weight	[g]	24.8
--------	-----	------

Housing	threaded type
---------	---------------

Mounting	flush mountable
----------	-----------------

Dimensions	[mm]	M12 x 1 / L = 45
------------	------	------------------

Thread designation	M12 x 1
--------------------	---------

Materials	stainless steel (1.4404 / 316L); sensing face: PEEK
-----------	---

Displays / operating elements

Display	switching status	4 x 90° LED, yellow
---------	------------------	---------------------

Accessories

Items supplied	lock nuts: 2
----------------	--------------

Remarks

Pack quantity	1 pcs.
---------------	--------

Electrical connection - plug

Connector: 1 x M12; coding: A; Contacts: gold-plated



IFT204



Inductive sensor

IFB3004BAPKG/M/V4A/US-104-DPO

Connection

