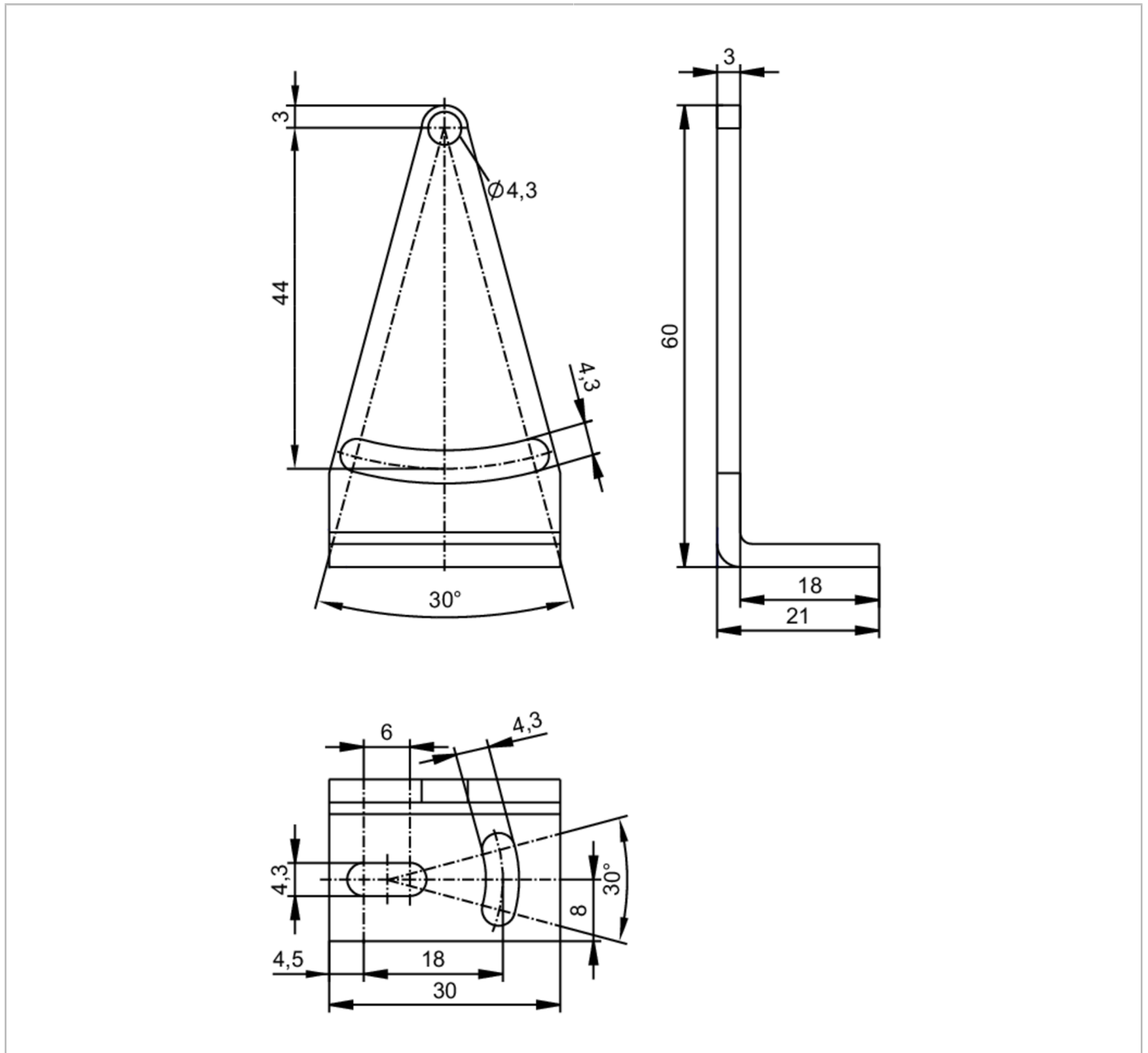


E21336



Angle bracket

OMH STANDARD BRACKET



Application	
Design	for type OMH
Mechanical data	
Weight [g]	46.3
Dimensions [mm]	60 x 30 x 21
Materials	steel sheet: stainless steel (1.4305 / 303)
Accessories	
Items supplied	cylinder screws: 2 x M4 x 38 Nuts: 2 x M4 washers: 6 x for screws M4 cylinder screws: 2 x M4 x 9

E21336



Angle bracket

OMH STANDARD BRACKET

Remarks	
Pack quantity	1 pcs.